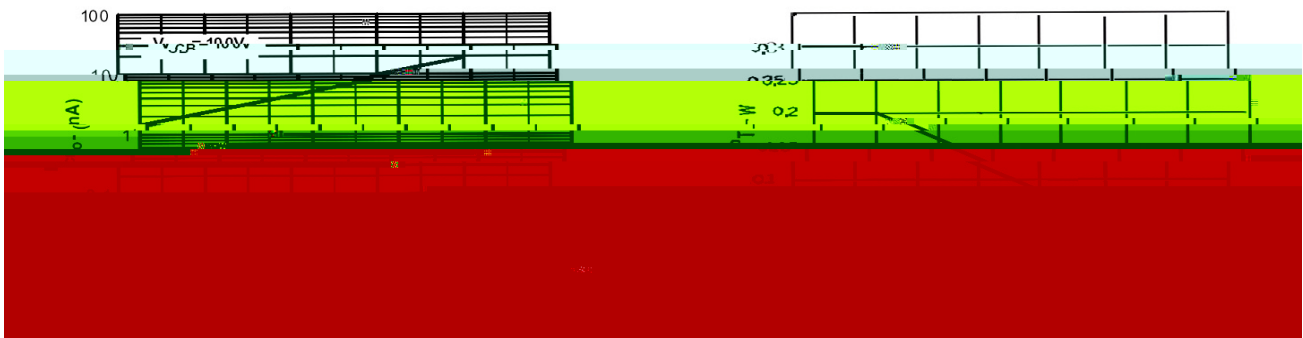
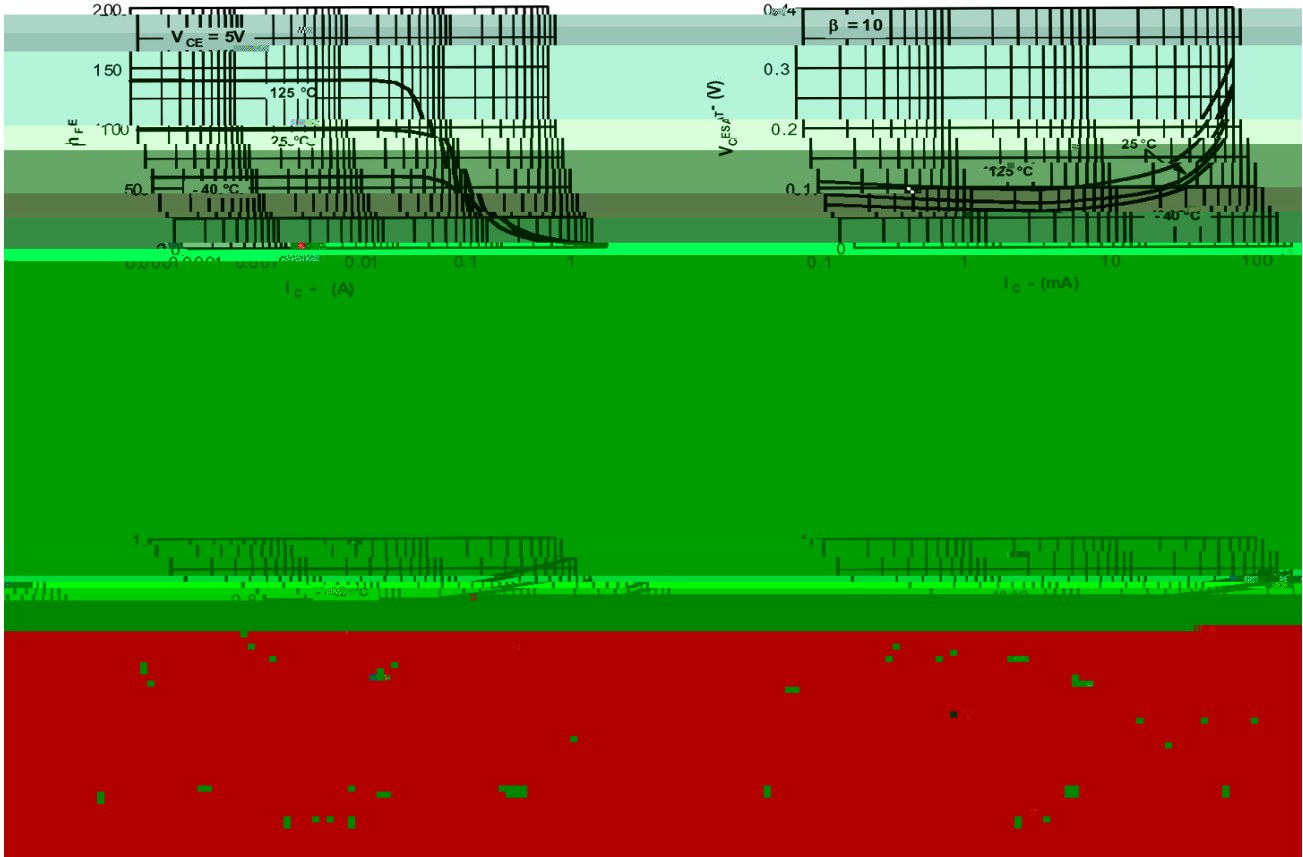




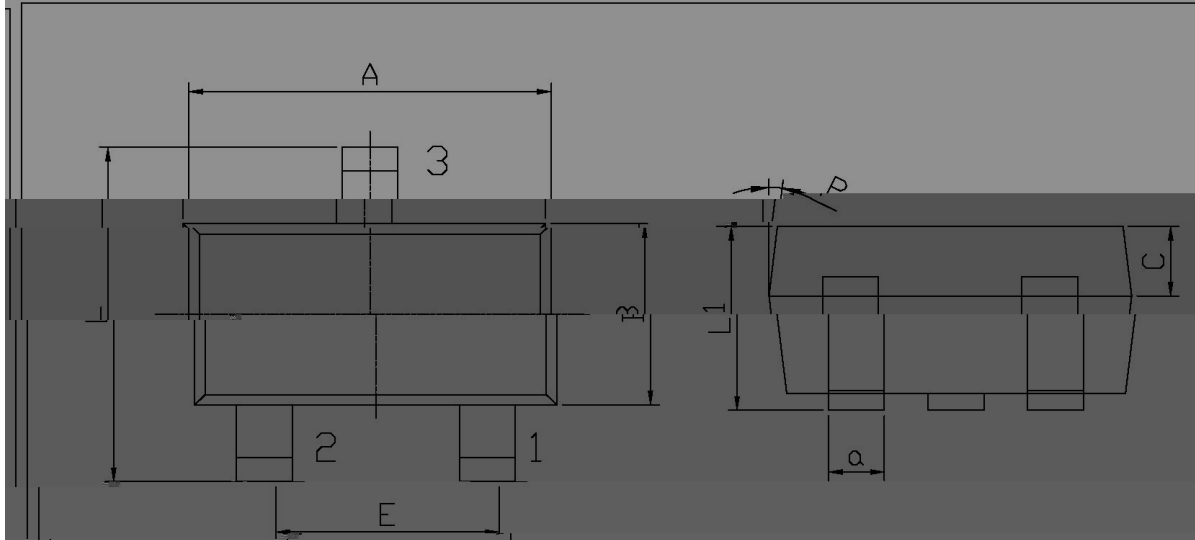
Parameter	Symbol	Rating	Unit
Collector to Base Voltage	$V_{CBO}$	180	V
Collector to Emitter Voltage	$V_{CEO}$	160	V
Emitter to Base Voltage	$V_{EBO}$	6.0	V
Collector Current - Continuous	$I_C$	600	mA
Base Current - Continuous	$I_B$	300	mA
Collector Power Dissipation	$P_C$	200	mW
Junction Temperature	$T_j$	150	
Storage Temperature Range	$T_{stg}$	-55 150	

Parameter	Symbol	Test Conditions	Min	Typ	Max	Unit
Collector Cut-Off Current	$I_{CBO}$	$V_{CB}=180V$ $I_E=0$			0.1	A
Emitter to Base Current	$I_{EBO}$	$V_{EB}=6.0V$ $I_C=0$			0.1	A

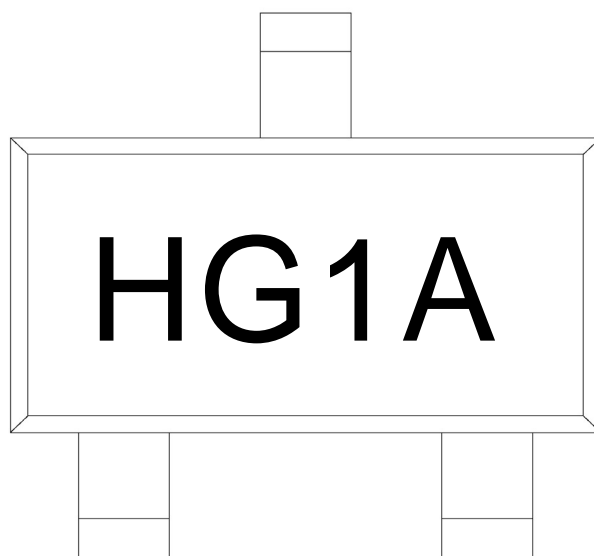


STT-323

单位: mm



Symbol	Dimensions In Millimeters		Symbol	Dimensions In Millimeters	
	Min.	Max		Min.	Max
A	1.95	2.35	C	0.30	0.50
E	1.20	1.40	D	0.20	0.40



H

G1

A             $h_{FE}$

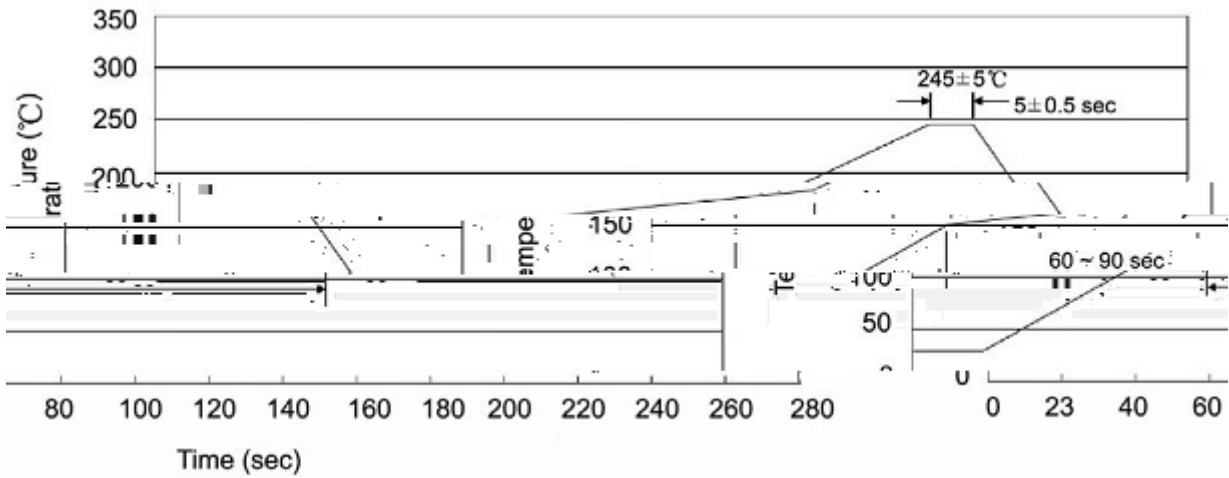
Note:

H:            Company Code.

G1            Product Type.

A             $h_{FE}$  Classifications Symbol

## K\ d g\ i Xk i \ 'Gif ]\ d ]fi @ ' l \]fn Jfd \ i'e ^ ŽGY\$=i\ \ž



Note:

- |   |       |     |    |           |   |
|---|-------|-----|----|-----------|---|
| 1 | 25    | 150 | 60 | 90sec;    | 1.Preheating:25~150 , Time:60~90sec.    |
| 2 | 245±5 |     |    | 5±0.5sec; | 2.Peak Temp.:245±5 , Duration:5±0.5sec. |
| 3 |       |     | 2  | 10 /sec.  | 3. Cooling Speed: 2~10 /sec.            |

260±5

10±1 sec.

Temp.:260±5

Time:10±1 sec

/ REEL

Package Type 封装形式	Units 包装数量					Dimension 包装尺寸 (unit: mm <sup>3</sup> )		
	只卷盘	卷盘盒	只盒	盒箱	只箱	盒		箱