

MBRF10100CT

Rev.F Mar.-2016

/ Descriptions

TO-220F

Schottky Diode in a TO-220F Plastic Package.

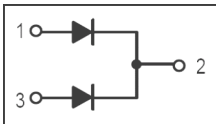
/ Features

Low power loss,high efficiency.

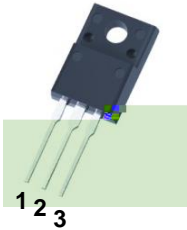
/ Applications

For use in low voltage,high frequency inverters, free wheeling, and polarity protection applications.

/ Equivalent Circuit



/ Pinning



PIN1 Anode PIN 2 Cathode PIN 3 Anode

/ h_{FE} Classifications & Marking

See Marking Instructions

/ Absolute Maximum Ratings(Ta=25)

Parameter	Symbol	Rating	Unit
Peak Repetitive Reverse Voltage Working Peak Reverse Voltage Peak Reverse Voltage	V_{RRM} V_{RWM} V_{RM}	100	V
RMS Reverse current	$V_{R(RMS)}$	70	V
Average Forward Current	$I_{F(AV)}$	2× 5	A
Non Repetitive Peak Surge Current	I_{FSM}	125	A
Thermal Resistance Junction to Case	R_{JC}	4	/W
Junction Temperature Range	$T_{j, MAX}$	150	
Storage Temperature Range	T_{stg}	-55 150	

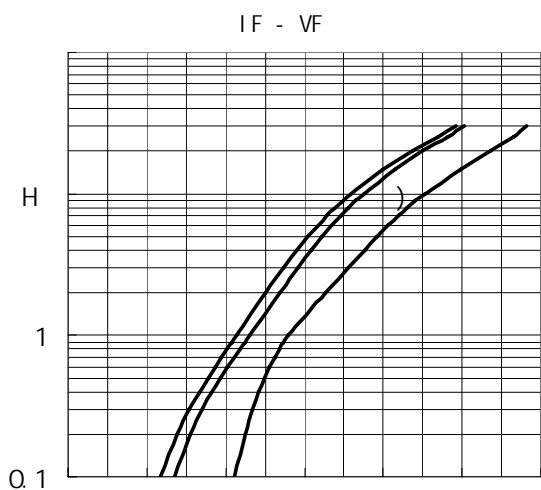
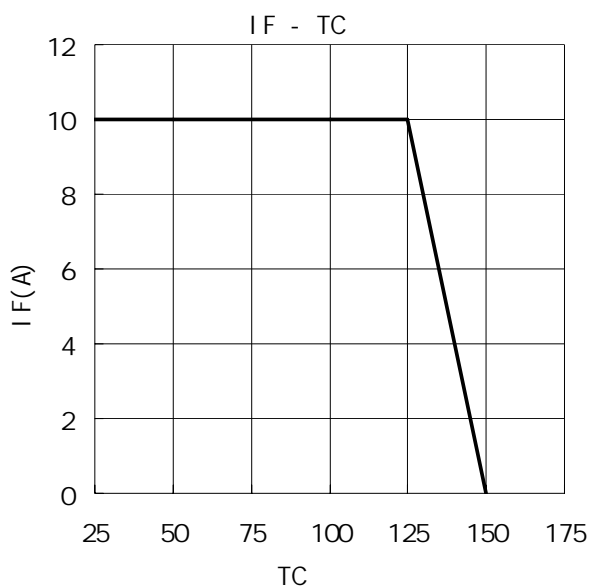
/ Electrical Characteristics(Ta=25)

Parameter	Symbol	Test Conditions	Min	Typ	Max	Unit
Reverse Voltage	V_R	$I_R=0.3mA$	100			V
Forward Voltage	V_F	$I_F=5A(T_j=25)$			0.85	V
		$I_F=5A(T_j=125)$			0.75	V
		$I_F=10A(T_j=25)$			0.95	V
		$I_F=10A(T_j=125)$			0.85	V
Instantaneous Reverse Current	I_R	$V_R=100V(T_j=25)$			10	uA
		$V_R=70V(T_j=125)$			1.0	mA
		$V_R=100V(T_j=125)$			5.0	mA

/Notes

1. /Short duration pulse test used to minimize self-heating effect.
2. / Unless otherwise noted, values for the parameters of a single chip

/ Electrical Characteristic Curve

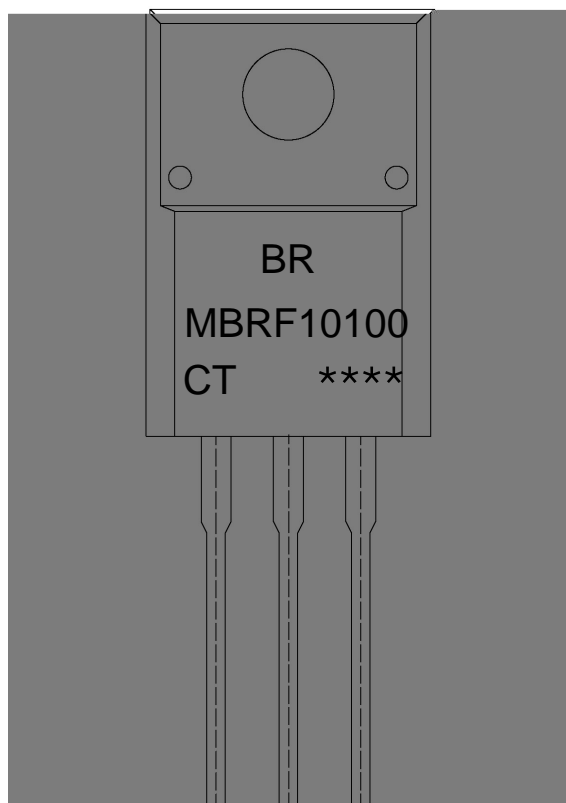


MBRF10100CT
Rev.F Mar.-2016

MBRF10100CT

Rev.F Mar.-2016

/ Marking Instructions



BR

MBRF10100

CT:

Note:

BR: Company Code

MBRF10100: Product Type.

CT: Internal Structure

****: Lot No. Code, code change with Lot No.

() / Temperature Profile for Dip Soldering(Pb-Free)



Note:

- | | | | | | |
|---|-------|-----|-------|----------|---|
| 1 | 25 | 150 | 60 | 90sec; | 1.Preheating:25~150 , Time:60~90sec. |
| 2 | 255±5 | | 5±0.5 | sec; | 2.Peak Temp.:255±5 , Duration:5±0.5sec. |
| 3 | | | 2 | 10 /sec. | 3. Cooling Speed: 2~10 /sec. |

5					255±
---	--	--	--	--	------