

MBRB20150CT

Rev.G Sep.-2022

/ Descriptions

Schottky Diode in a TO-263 Plastic Package.

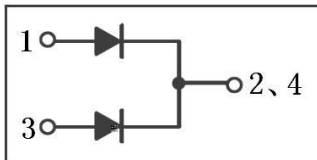
/ Features

Low power loss, high efficiency. HF product.

/ Applications

For use in low voltage,high frequency inverters, free wheeling, and polarity protection applications.

/ Equivalent Circuit



/ Pinning



PIN1 Anode

PIN 2 4 Cathode

PIN 3 Anode

/ hFE Classifications & Marking

See Marking Instructions.

MBRB20150CT

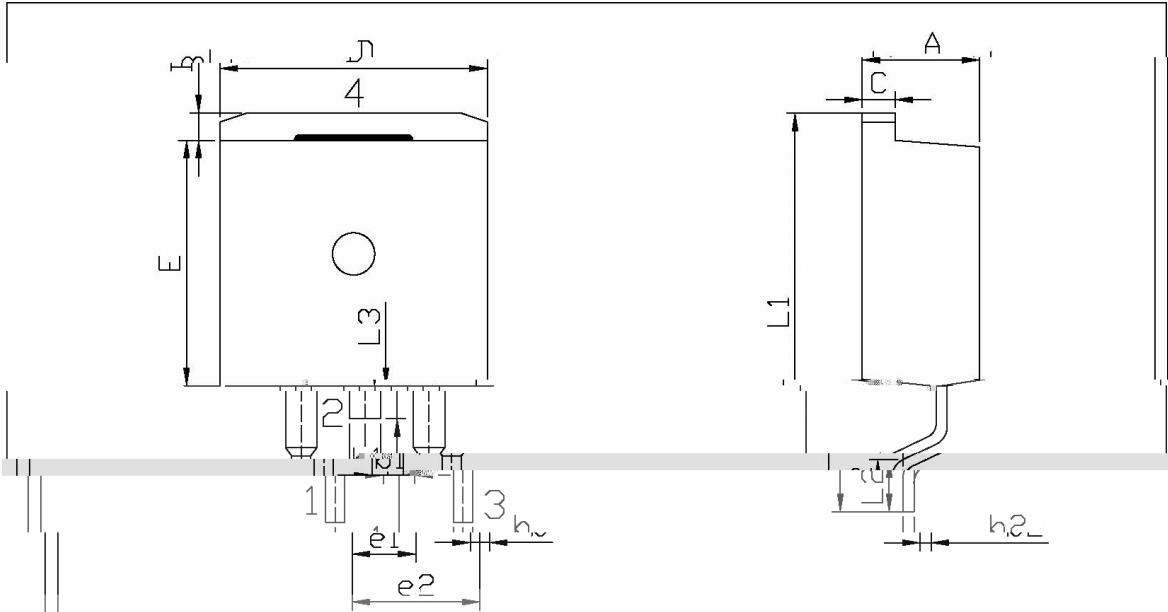
Rev.G Sep

ep@erDehSUS

MBRB20150CT

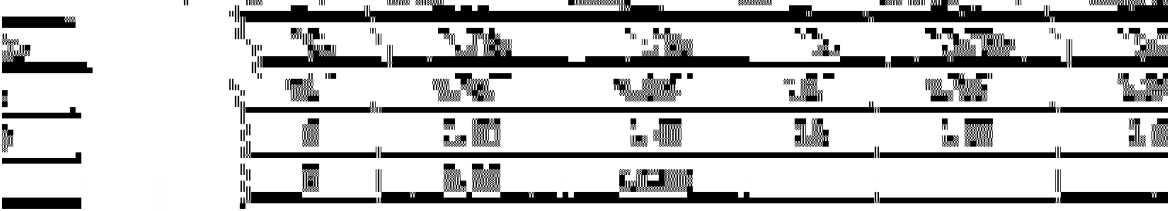
Rev.G Sep.-2022

/ Package Dimensions



单位: mm

Symbol	Dimensions In Millimeters		Symbol	Dimensions In Millimeters	
	Min	Max		Min	Max
A	4.30	4.70	E	9.00	9.40



/ Marking Instructions

