

MB1L~MB10L

Rev.A Aug.-2024

DATA SHEET

MB1L~MB10L

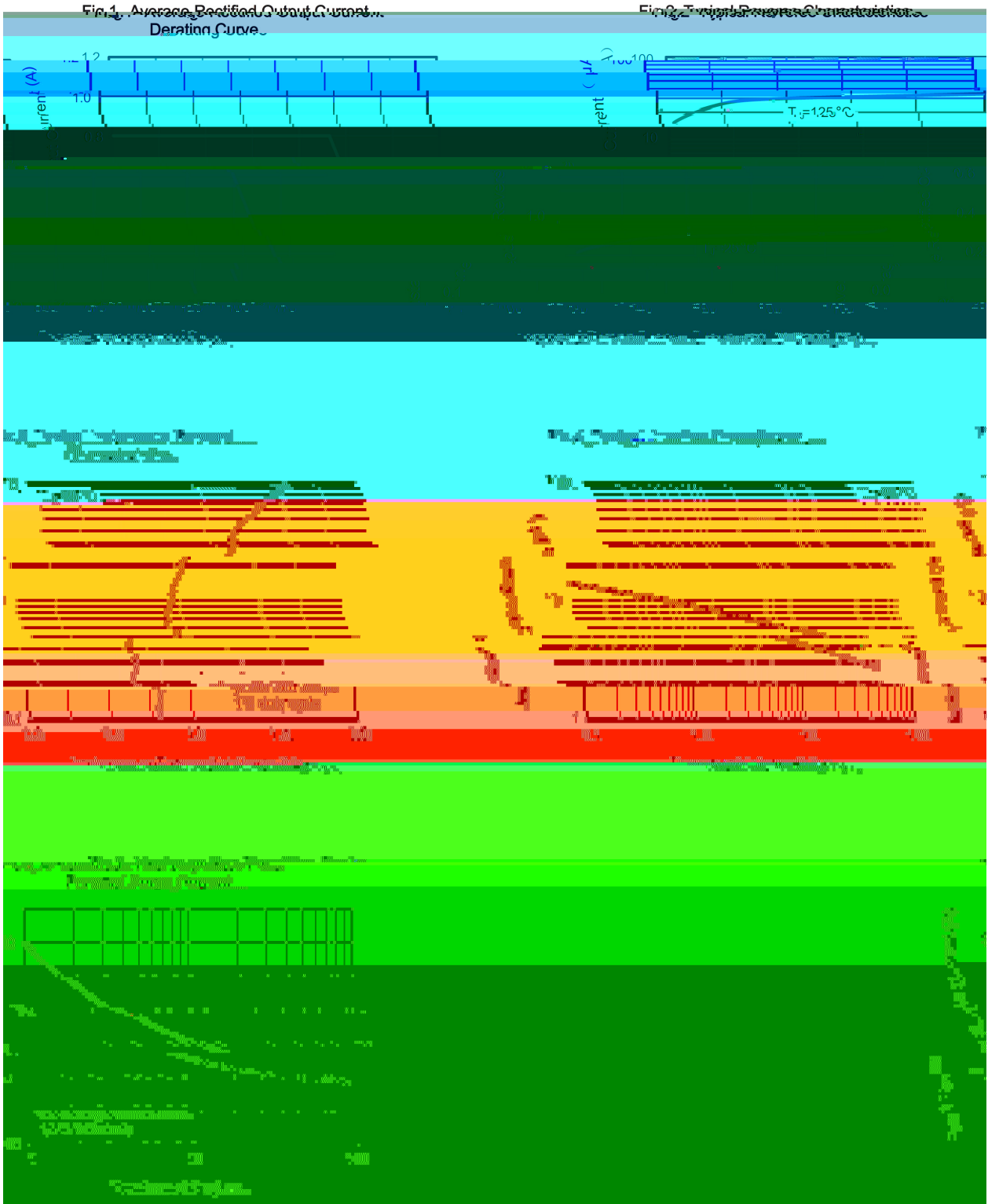
Rev.A Aug.-2024



DATA SHEET

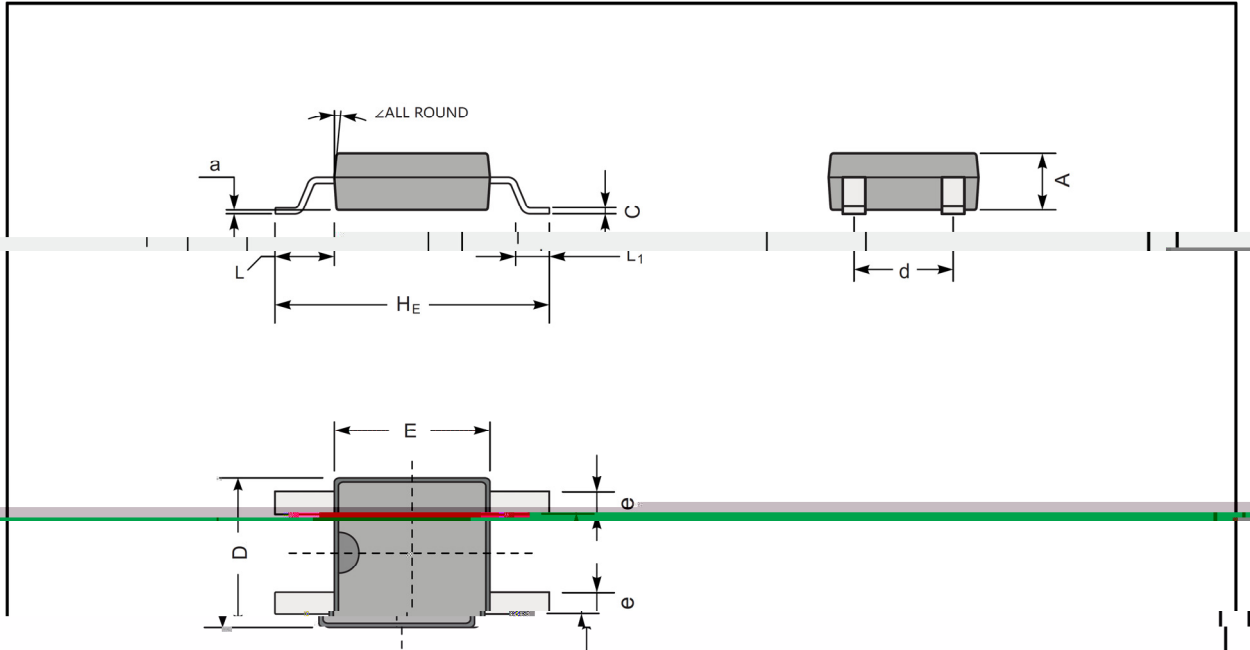
Parameter	Symbol	Rating						Unit
		MB1L	MB2L	MB4L	MB6L	MB8L	MB10L	
Maximum Recurrent Peak Reverse Voltage	V_{RRM}	100	200	400	600	800	1000	V
Maximum RMS Voltage	V_{RMS}	70	140	280	420	560	700	V
Maximum DC Blocking Voltage	V_{DC}	100	200	400	600	800	1000	V
Maximum Average Forward Rectified Current @ Fig.1	$I_{F(AV)}$	0.8						A
Peak Forward Surge Current,8.3ms Single Half Sine-wave Superimposed on Rated Load (JEDEC method)	I_{FSM}	30						A
Peak Forward Surge Current,1.0ms Single Half Sine-wave Superimposed on Rated Load (JEDEC method)	I_{FSM}	RMS						

/ Electrical Characteristic Curve



/ Package Dimensions

MBL



MBL mechanical data

UNIT	A	C	D	E	HE	d	e	L	L1	a	∠
max	1.6	0.18	3.95	4.1	7.0	2.7	0.8	1.7	1.1	0.2	
min	0.8	0.12	3.45	3.5	6.4	2.3	0.5	1.3	0.5	—	7.6
mm	0.3	0.1	0.5	0.6	0.7	0.4	0.3	0.4	0.4	0.1	
mm	47	4.7	103	142	232	91	17	51	20	—	

() / Temperature Profile for IR Reflow Soldering(Pb-Free)

Note:

1 150 180 60