

/ Descriptions

KF \$) CD GE G Silicon PNP transistor in a TO-92LM Plastic Package.

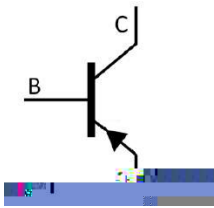
/ Features

BK: *)) /
High voltage, complementary to KTC3228.

/ Applications

Color TV vertical deflection output, color TV class B sound output application.

/ Equivalent Circuit



/ Pinning



PIN1 Base PIN 2 Collector PIN 3 Emitter

/ h_{FE} Classifications & Marking

h _{FE} Classifications Symbol	R	O	Y
h _{FE} Range	60~120	100~200	160~320

/ Absolute Maximum Ratings(Ta=25)

Parameter	Symbol	Rating	Unit
Collector to Base Voltage	V_{CBO}	-160	V
Collector to Emitter Voltage	V_{CEO}	-160	V
Emitter to Base Voltage	V_{EBO}	-6	V
Collector Current - Continuous	I_C	-1.0	A
Base Current - Continuous	I_B	-0.5	A
Collector Power Dissipation	P_C	1.0	W
Junction Temperature	T_j	150	
Storage Temperature Range	T_{stg}	-55 150	

/ Electrical Characteristics(Ta=25)

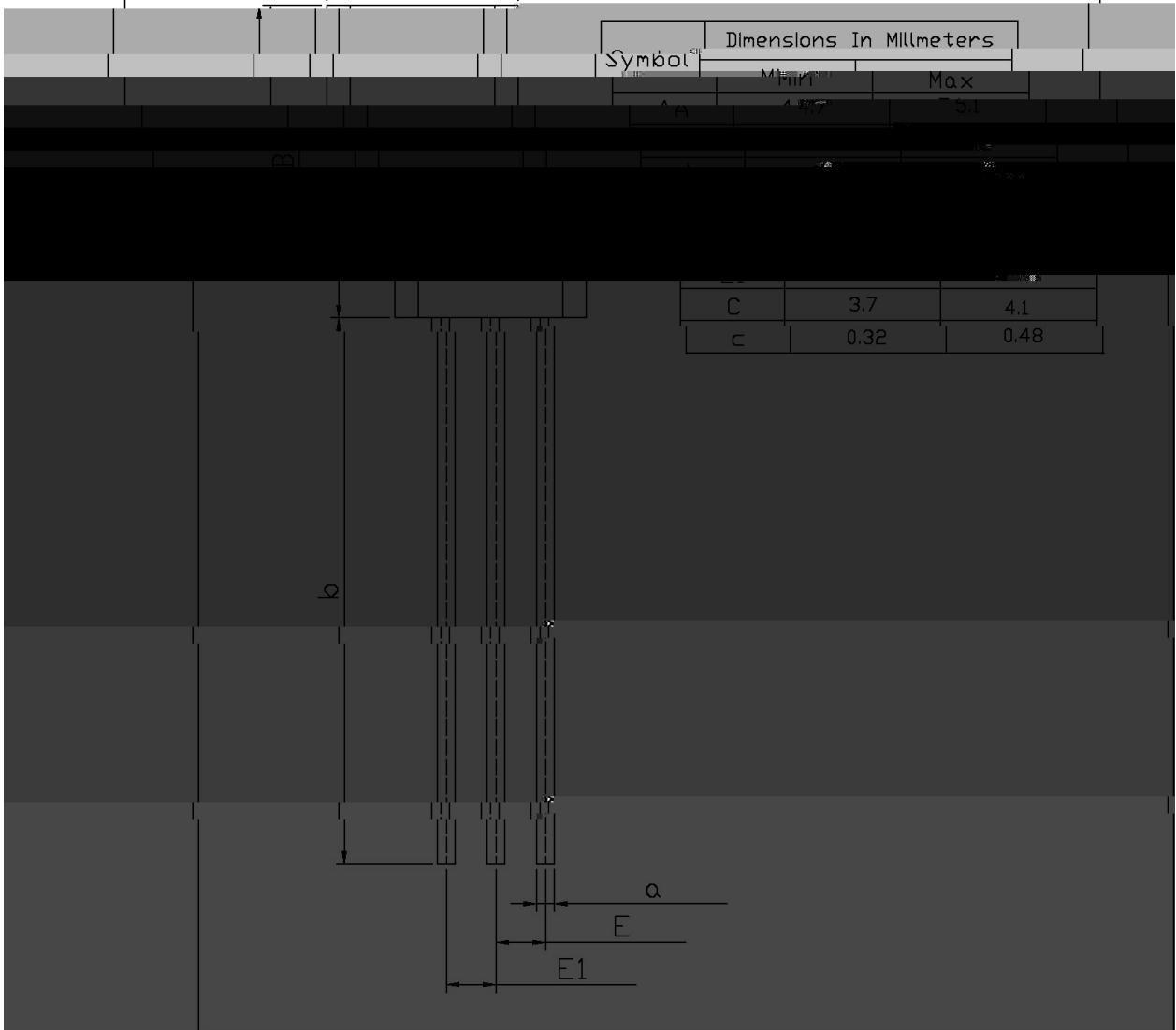
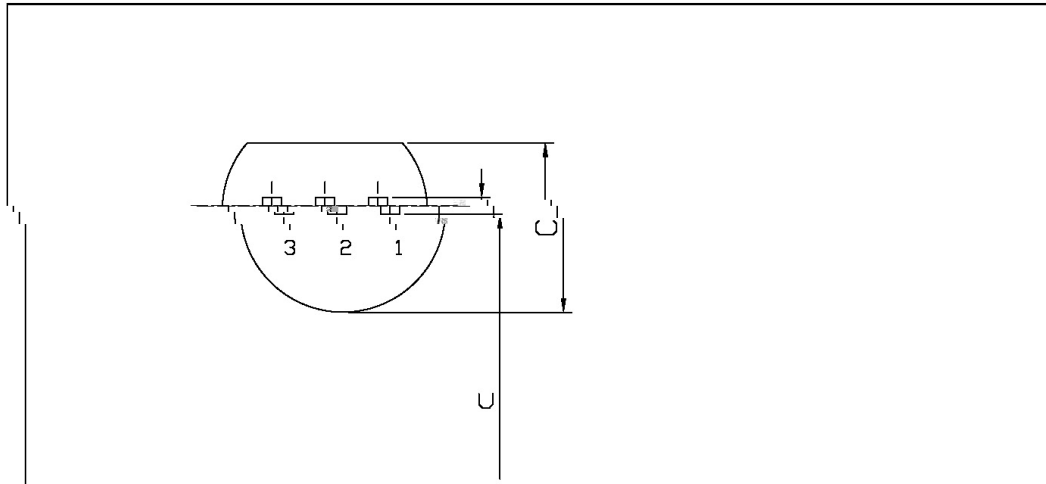
Parameter	Symbol	Test Conditions	Min	Typ	Max	Unit
Collector to Emitter Breakdown Voltage	V_{CEO}	$I_C=-10mA$ $I_B=0$	-160			V
Collector Cut-Off Current	I_{CBO}	$V_{CB}=-150V$ $I_E=0$			-1.0	μA
Emitter Cut-Off Current	I_{EBO}	$V_{EB}=-6V$ $I_C=0$			-1.0	μA
DC Current Gain	h_{FE}	$V_{CE}=-5V$ $I_C=-200mA$	60		320	
Collector to Emitter Saturation Voltage	$V_{CE(sat)}$	$I_C=-500mA$ $I_B=-50mA$			-1.5	V
Base to Emitter Voltage	V_{BE}	$V_{CE}=-5V$ $I_C=-5mA$	-0.45		-0.75	V
Transition Frequency	f_T	$V_{CE}=-5V$ $I_C=-200mA$	15	50		MHz
Collector output capacitance	C_{ob}	$V_{CB}=-10V$ $I_E=0$ $f=1MHz$			35	pF

KTA1275
Rev.E Mar.-2016

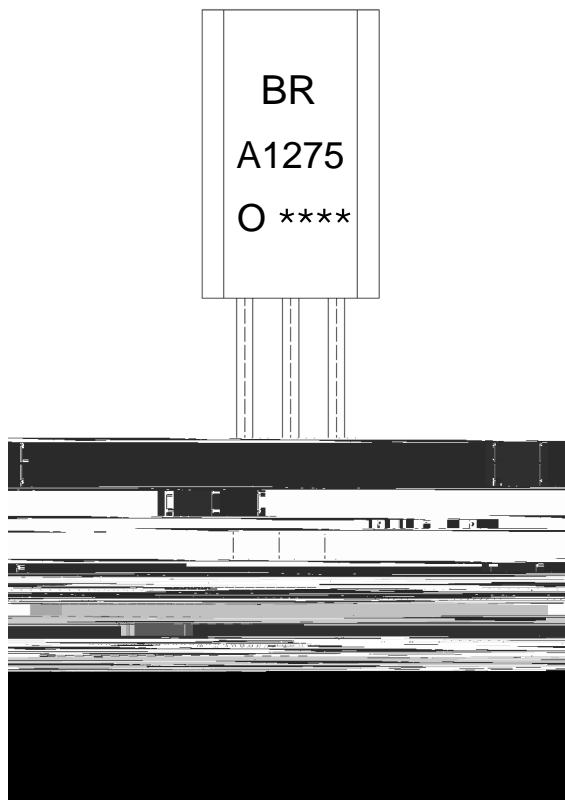
/ Package Dimensions

TO-92LM

Unit: mm



/ Marking Instructions



9| 1

8() .

F 1

!!!!

Note:

BR: Company Code.

A1275: Product Type.

O: h_{FE} Classifications Symbol

****: Lot No. Code,code change with Lot No.

() / Temperature Profile for Dip Soldering(Pb-Free)



- | | |
|---------------------------------------------------------------------------------------------------------------------------------------------------------|------------------------------------------------------------------------------------------------------------------------------------------------------|
| <p>1 25 150 60 90sec;</p> <p>2 255..5 5..0.5sec;</p> <p>3 2 10 /sec.</p> | <p>Note:</p> <p>1.Preheating:25~150 , Time:60~90sec.</p> <p>2.Peak Temp.:255..5 , Duration:5..0.5sec.</p> <p>3. Cooling Speed: 2~10 /sec.</p> |
|---------------------------------------------------------------------------------------------------------------------------------------------------------|------------------------------------------------------------------------------------------------------------------------------------------------------|

/ Resistance to Soldering Heat Test Conditions

270..5 10..1 sec. Temp.:270..5 Time:10..1 sec

/ Packaging SPEC.

/ BULK

Package Type 封装形式	Units/Bag 只/袋	Bags/Inner Box 袋/盒	Units 包装数量			Dimension 包装尺寸 (unit: mm3)	
			Units/Inner Box 只/盒	Inner Boxes/Outer Box 盒/箱	Units/Outer Box 只/箱	Bag 袋	Inner Box 盒