

## / Descriptions

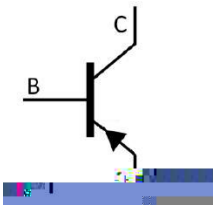
TO-92      PNP

## / Features

KSD261

## / Applications

## / Equivalent Circuit



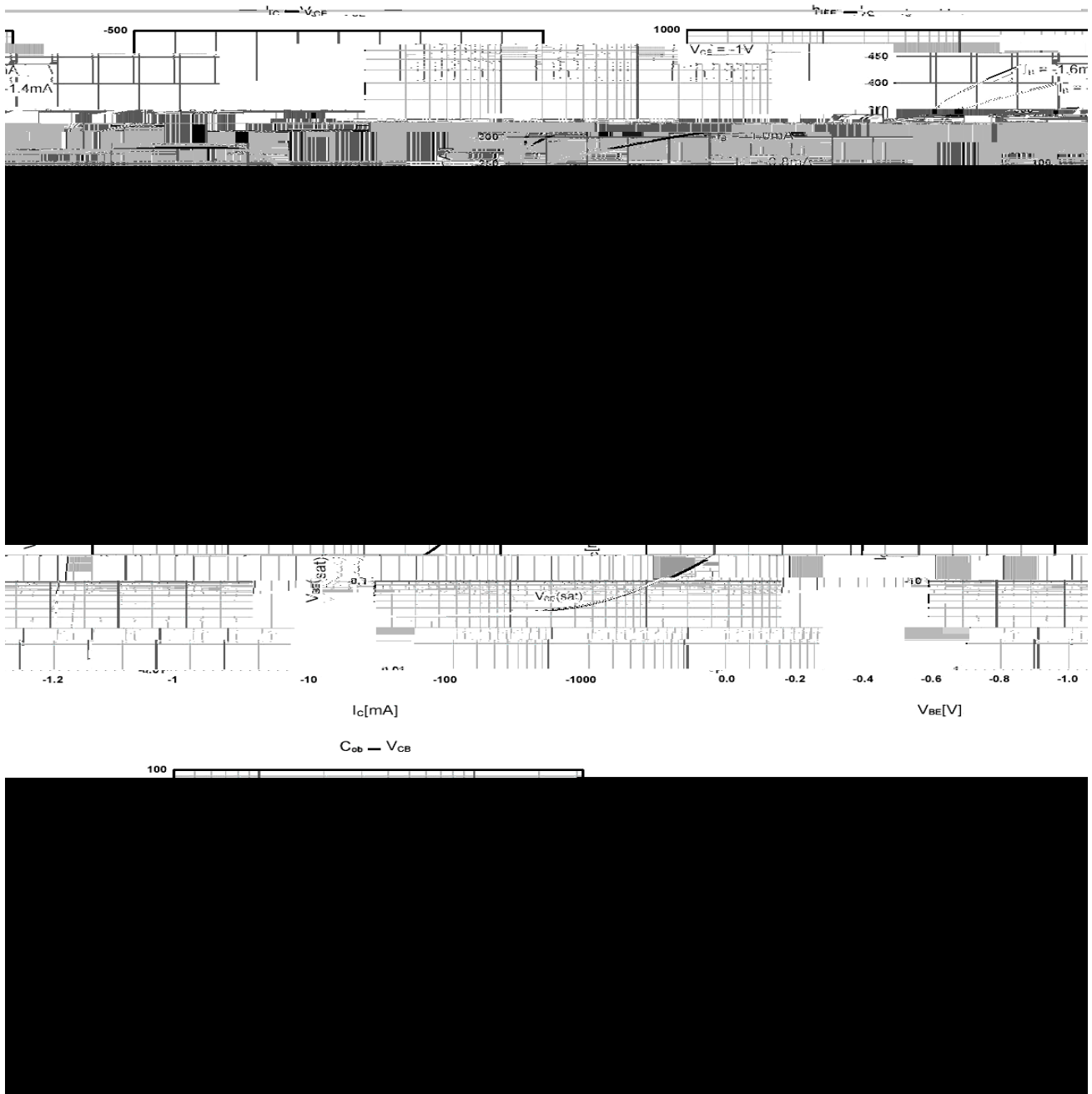
## / Pinning



## / hFE Classifications & Marking


**KSA643**

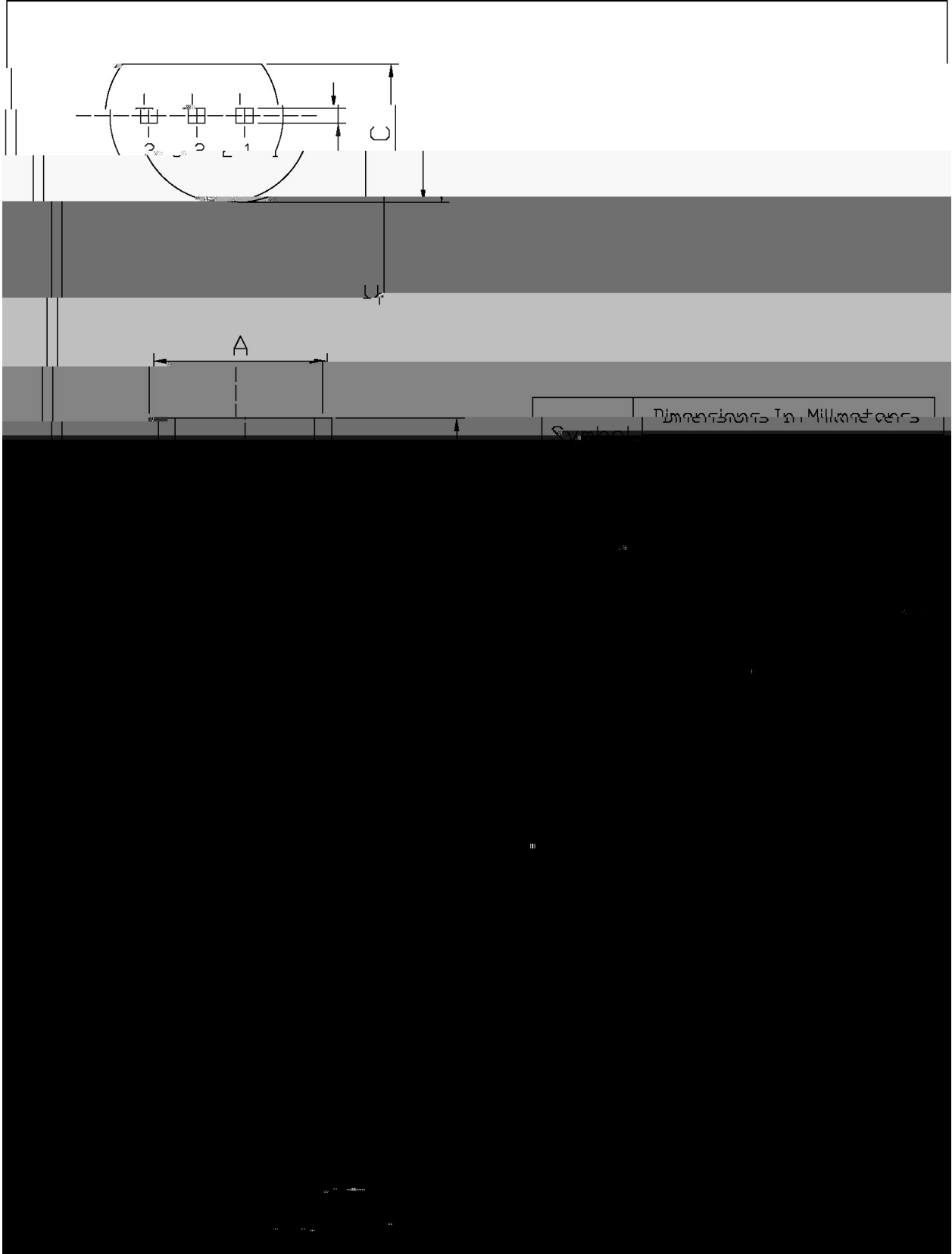
/ Electrical Characteristic Curve



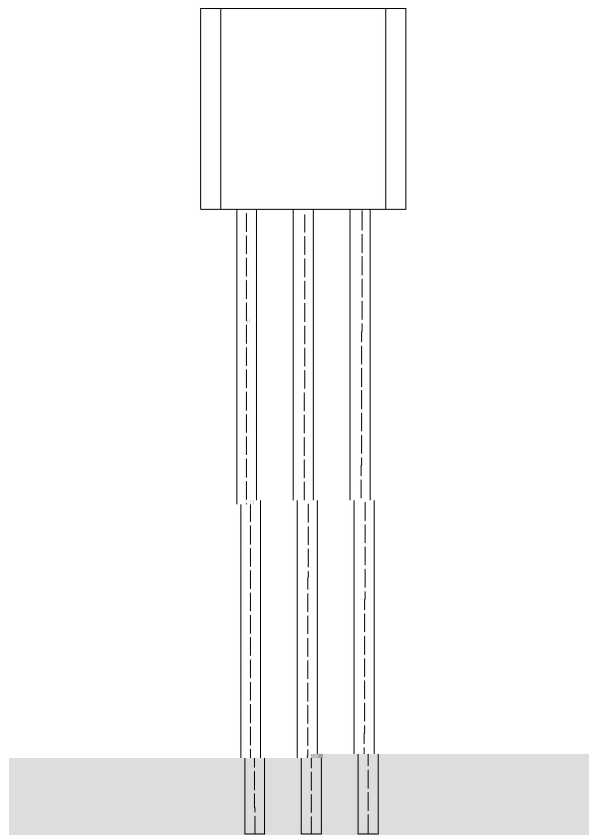
/ Package Dimensions

T0-92

Unit: mm



KSA643



( ) / Temperature Profile for Dip Soldering(Pb-Free)

