

BRMUR860AC

Rev.G Oct.-2017

KO-2208:

Ultrafast Recovery Diode in a TO-220AC Plastic Package.

KO-2208:

600M

A

/ Absolute Maximum Ratings(Ta=25)

Parameter	Symbol	Rating	Unit
Peak Repetitive Reverse Voltage	V_{RRM}	600	V
Working Peak Reverse Voltage	V_{RWM}	600	V
DC Blocking Voltage	V_R	600	V
Average Forward Current	I_F	8	A
Non Repetitive Peak Surge Current	I_{FRM}	16	A
Peak forward surge current	I_{FSM}	100	A
Power Dissipation	$P_{C(Tc=25)}$	75	W
Junction Temperature Range	T_j	150	
Storage Temperature Range	T_{stg}	-55 150	

/ Electrical Characteristics(Ta=25)

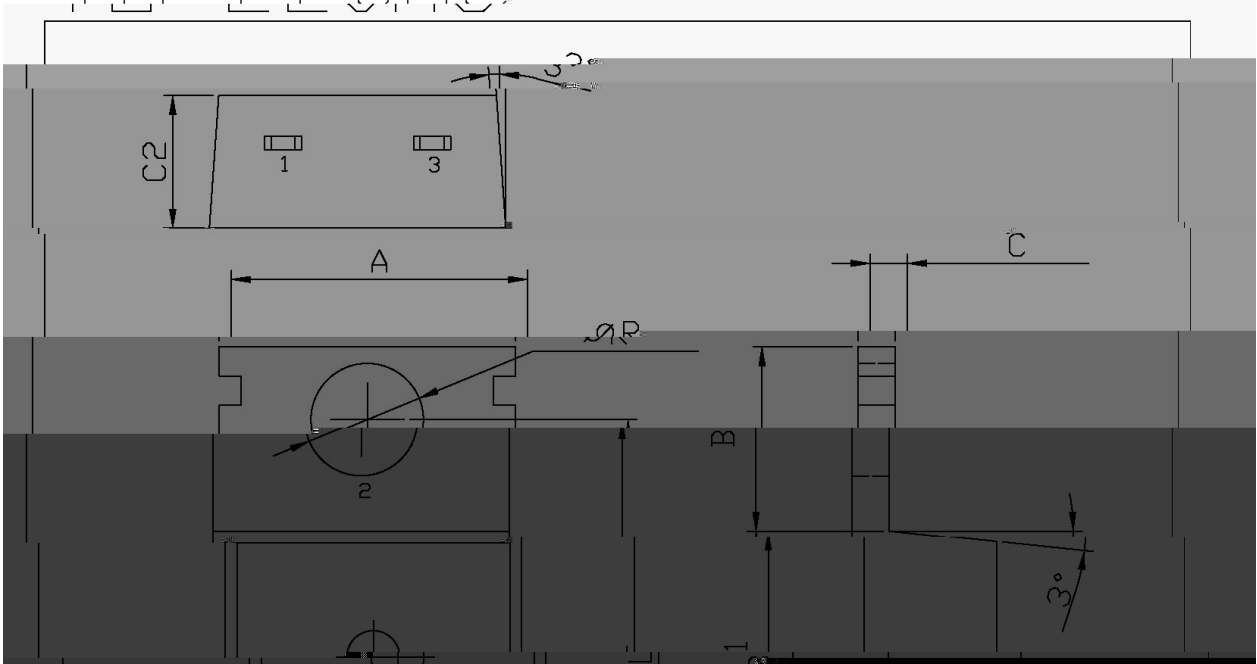
Test Conditions	Symbol	Conditions	Value	Unit
Forward Voltage	V_F	$I_F=8A$	1.5	V
		$I_F=8A \quad T_C=150$	1.2	V
Instantaneous Reverse Current	I_R	$V_R=600V$	100	μA
		$V_R=600V \quad T_C=150$	500	μA
Reverse Recovery Time	t_{rr}	$I_F=1A \quad dI_F/dt=200A/\mu S$	60	ns
		$I_F=8A \quad dI_F/dt=200A/\mu S$	70	ns
Time To Reach Peak Reverse forward current	t_a	$I_F=8A \quad dI_F/dt=200A/\mu S$	32	ns
Time From Peak IRM Projected zero crossing of IRM based on a straight line peak through 25%	t_b	$I_F=8A \quad dI_F/dt=200A/\mu S$	21	ns
Reverse Recovery change	Q_{RR}	$I_F=8A \quad dI_F/dt=200A/\mu S$	195	nC
Junction Capacitance	C_J	$V_R=10V \quad I_F=0A$	25	pF

BRMUR860AC
Rev.G Oct.-2017

/ Package Dimensions

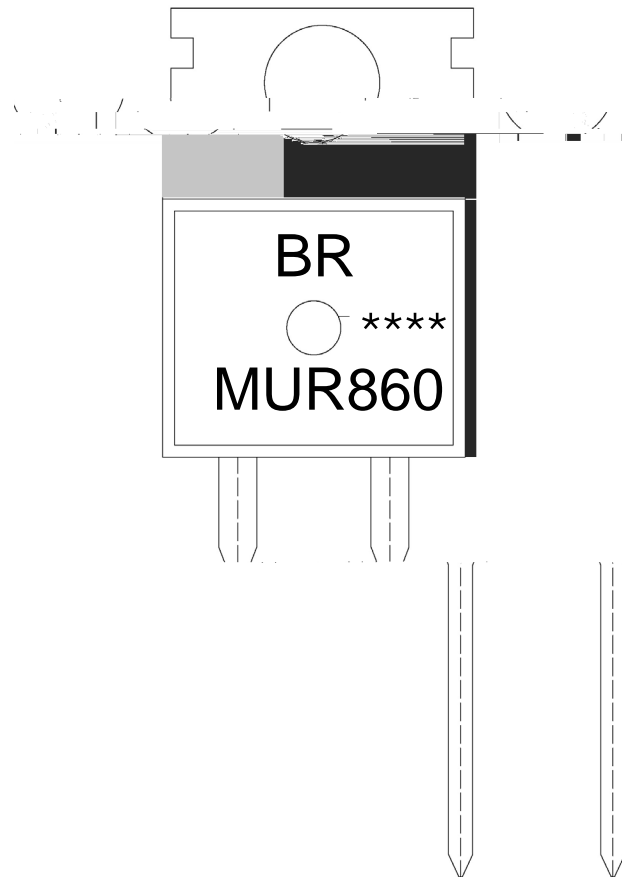
TO-220AC

Unit:mm



L	15.7	16.1	C1	2.2	2.6
b	12.6	13.6	C	1.2	1.4
b1	9.6	10.6	C	0.4	0.6

/ Marking Instructions



9R

ML R860

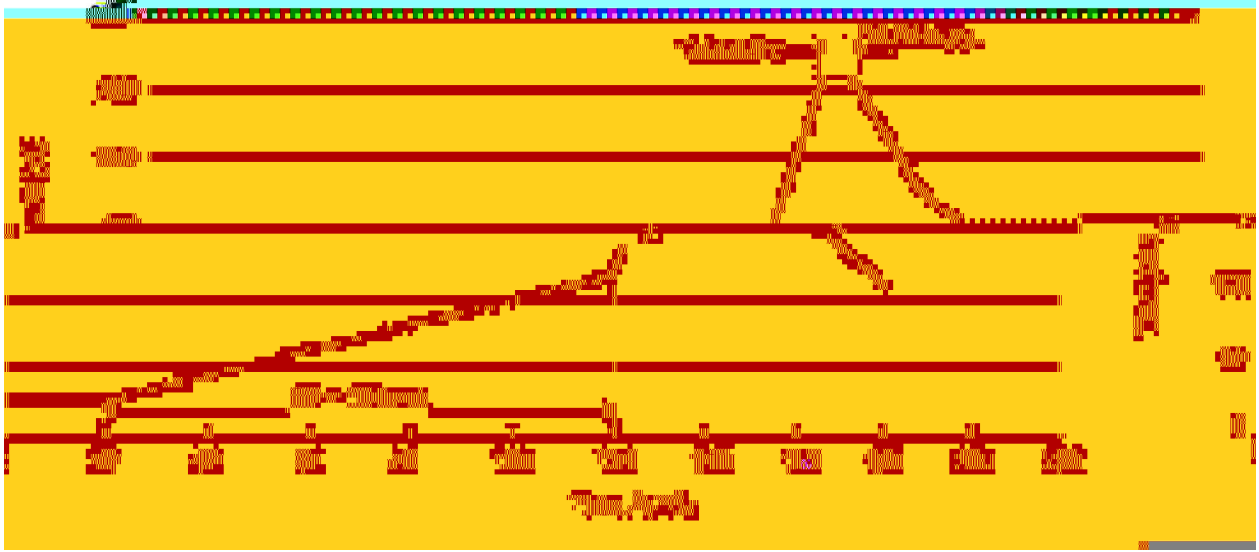
Note:

BR: Company Code

MUR860 Product Type.

****: Lot No. Code, code change with Lot No.

() / Temperature Profile for Dip Soldering(Pb-Free)



Note:

- | | | | |
|---|--------|-----------|---|
| 1 | 25 150 | 60 90sec; | 1.Preheating:25~150 , Time:60~90sec. |
| 2 | 255±5 | 5±0.5sec; | 2.Peak Temp.:255±5 , Duration:5±0.5sec. |
| 3 | 2 10 | /sec. | 3. Cooling Speed: 2~10 /sec. |

/ Resistance to Soldering Heat Test Conditions

270±5 10± 1 sec. Temp.:270±5 Time:10±1 sec

/ Packaging SPEC.

/ BULK

Package Type	Units					Dimension (unit mm ³)		
	Units/Bag /	Bags/Inner Box /	Units/Inner Box /	Inner Boxes/Outer Box /	Units/Outer Box /	Bag	Inner Box	Outer Box
TO-220/F/AC	200	10	2,000	5	10,000	135×190	237×172×102	560×245×195

/ TUBE

Package Type	Units					Dimension (unit mm ³)		
	Units/Tube /	Tubes/Inner Box /	Units/Inner Box /	Inner Boxes/Outer Box /	Units/Outer Box /	Tube	Inner Box	Outer Box
TO-220/F/AC	50	20	1,000	5	5,000	532×31.4×5.5	555×164×50	575×290×180

/ Notices