

**BRCS055N08SHBD**

# BRCs055N08SHBD

Rev.A Sep.-2022

Parameter	Symbol	Rating	Unit
Drain-Source Voltage	$V_{DSS}$	80	V
Drain Current	$I_D(T_C=25^\circ\text{C})$	132	A
Pulsed Drain Current	$I_{DM}$	276	A
Gate-Source Voltage	$V_{GS}$	$\pm 20$	V
Single Pulsed Avalanche Energy(L=0.5mH)	$E_{AS}$	940.8	mJ
Avalanche Current	$I_{AS}$	42	A
Total Power Dissipation	$P_D(T_C=25^\circ\text{C})$	173.6	W
Junction and Storage Temperature Range	$T_J, T_{STG}$	-55 to 150	

# BRC5055N08SHBD

Rev.A Sep.-2022

Parameter	Symbol	Test Conditions	Min	Typ	Max	Unit
Turn-On Delay Time	$t_{d(on)}$	$V_{GS}=10V$ $V_{DS}=40V$ $R_L=2$ $R_{GEN}=3$		23		ns
Turn-On Rise Time	$t_r$			32		
Turn-Off Delay Time	$t_{d(off)}$					

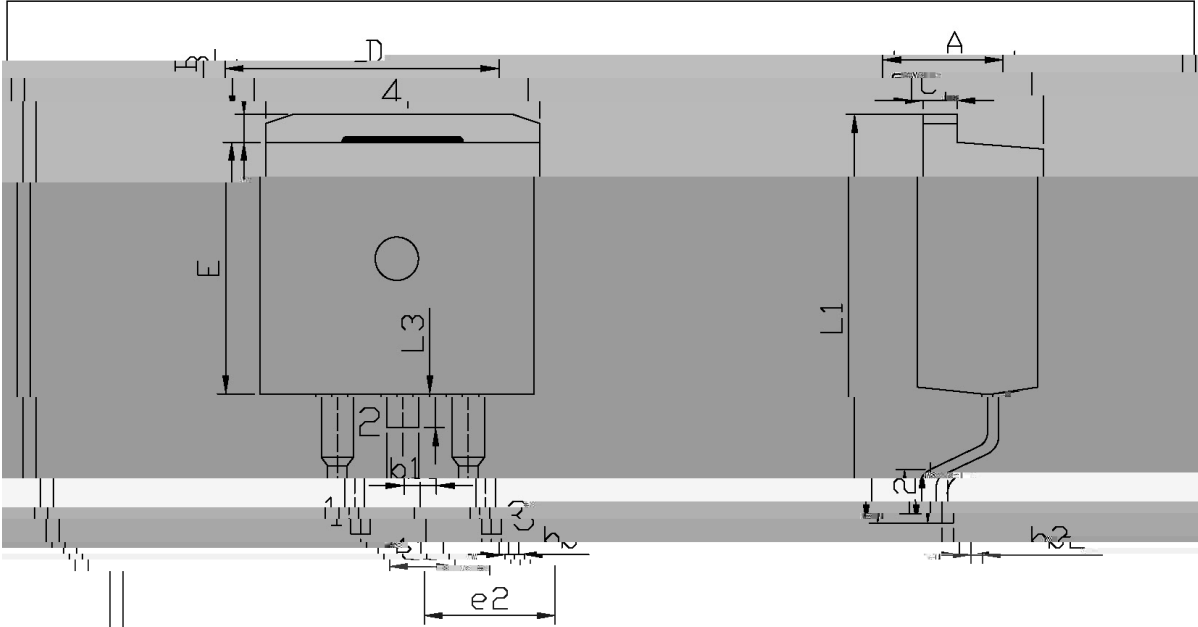


# **BRCS055N08SHBD**

Rev.A Sep.-2022

**DATA SHEET**

/ Package Dimensions



单位: mm

Dimensions in Millimeters

Max	Min	Max	Min
9.10	4.30	4.70	0.00
2.71	1.00	1.40	2.21

# BRC5055N08SHBD

Rev.A Sep.-2022

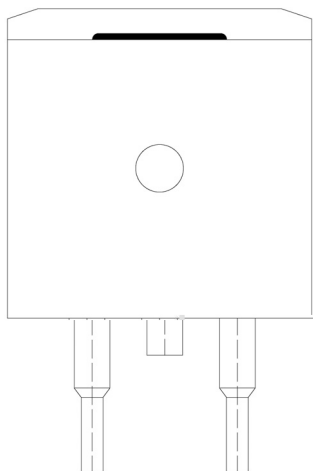


蓝箭电子  
BLUE ROCKET ELECTRONICS

DATA SHEET

## / Marking Instructions

02xuxu-7e775>E71(-7d41e04b8055b0457051d775>ns T\*5T16 T1b T1b T34 T16 T1e T34d72e6194d775>31(-1d4



# **BRCS055N08SHBD**

Rev.A Sep.-2022

**DATA SHEET**