



Rev.A Aug.-2022

/ fi

SOT-89

Low dropout linear regulator in a SOT-89 Plastic Package .

fl Ł

20V

1.5μA

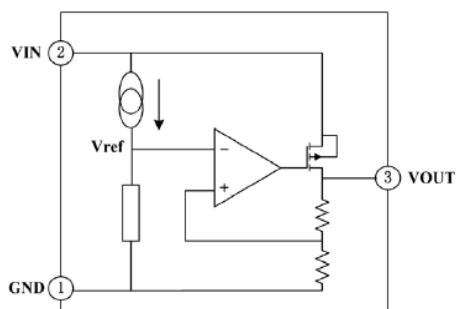
2%

Low power consumption,Low voltage drop,Small temperature drift coefficient,High input voltage up to 20V,The static current 1.5μA,The output voltage accuracy:±2%,HF Product.

† Ź

For use in power equipment,Communication equipment,Audio and video equipment.

ž ! " # \$ %



& ' ()



PIN1 GND PIN 2 VIN PIN 3 VOUT

“ ~ I

/ See Marking Instructions.

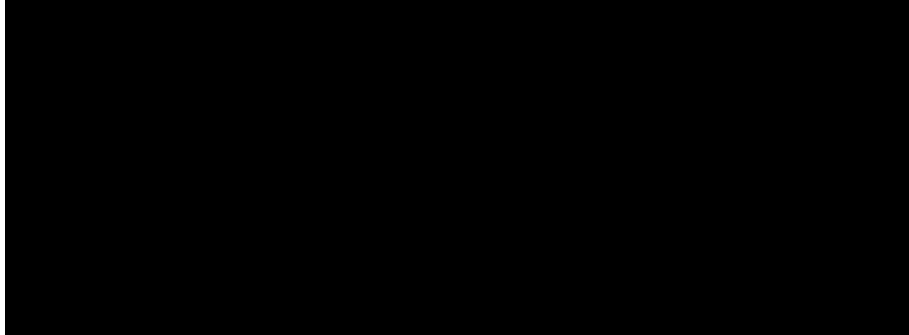


Parameter	Symbol	Rating	Unit
			/



1 2 3 † \$ %

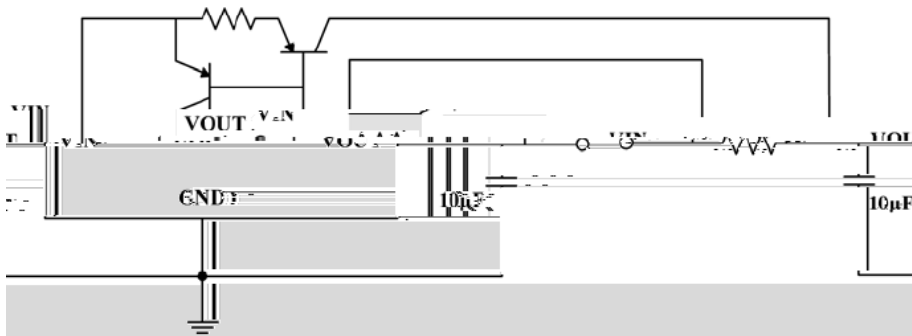
/ Basic Application



/ High Output Current Voltage Regulator



/ Short-Circuit Protection





1 2 3 † \$ %

/



4 5 6 7 8

Symbol	Dimensions In Millimeters	Symbol	Dimensions In Millimeters
	Min Max		Min Max



“ 9 :



; < = > ? @ A 8 B C DEF GEH JKHEILMNOPLNHRISLSEONLUNVEHPXVMZ [\HEE]

- | | | | | |
|---|---------|-----------|-------|--|
| 1 | 150 180 | 60 90sec; | Note: | 1.Preheating:150~180°C, Time:60~90sec. |
| 2 | 245±5 | 5±0.5sec; | | 2.Peak Temp.:245±5°C, Duration:5±0.5sec. |
| 3 | 2 | 10°C/sec. | | 3. Cooling Speed: 2~10°C/sec. |

^ = _ ` a b c d
 260±5°C 10±1 sec. Temp.:260±5°C Time:10±1 sec8

e f g h

/ REEL

Package Type	Units					Dimension (unit mm)		
	Units/Reel 只/卷盘	Reels/Inner Box 卷盘/盒	Units/Inner Box 只/盒	Inner Boxes/Outer Box 盒/箱	Units/Outer Box 只/箱	Reel	Inner Box	Outer Box
SOT-89	1,000	7	7,000	6	42,000	7" ×12	180×120×180	390×385×205