

**/ Descriptions**

TO-92          NPN                          Silicon NPN transistor in a TO-92 Plastic Package.

**/ Features**

2SA1980  
Low  $V_{CE(sat)}$ , low output capacitance, complementary pair with 2SA1980.

**/ Applications**

General small signal amplifier applications.

**/ Equivalent Circuit**



**/ Pinning**



PIN1 Base          PIN 2 Collector          PIN 3 Emitter

**/ hFE Classifications & Marking**

h <sub>FE</sub> Classifications Symbol	R	Y	G	L
h <sub>FE</sub> Range	70~140	120~240	200~400	300~700

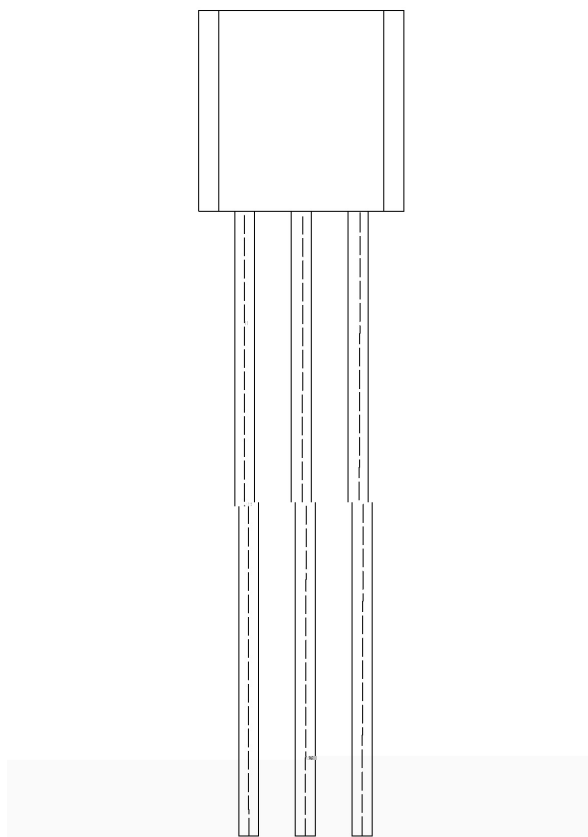
Parameter	Symbol	Rating	Unit
Collector to Base Voltage	$V_{CBO}$	60	V
Collector to Emitter Voltage	$V_{CEO}$	50	V
Emitter to Base Voltage	$V_{EBO}$	5.0	V
Collector Current - Continuous	$I_C$	150	mA
Collector Power Dissipation	$P_C$	625	mW
Junction Temperature	$T_j$	150	
Storage Temperature Range	$T_{stg}$	-55 150	

Parameter	Symbol	Test Conditions	Min	Typ	Max	Unit
Collector to Base Breakdown Voltage	$V_{CBO}$	$I_C=100\mu A$ $I_E=0$	60			V
Collector to Emitter Breakdown Voltage	$V_{CEO}$	$I_C=10mA$ $I_B=0$	50			V
Emitter to Base Breakdown Voltage	$V_{EBO}$	$I_E=10\mu A$ $I_C=0$	5.0			V
Collector Cut-Off Current	$I_{CBO}$	$V_{CB}=60V$ $I_E=0$			0.1	$\mu A$
Emitter Cut-Off Current	$I_{EBO}$	$V_{EB}=5.0V$ $I_C=0$			0.1	$\mu A$
DC Current Gain	$h_{FE}$	$V_{CE}=6.0V$ $I_C=2.0mA$	70		700	
Collector to Emitter Saturation Voltage	$V_{CE(sat)}$	$I_C=100mA$ $I_B=10mA$			0.25	V
Transition Frequency	$f_T$	$V_{CE}=10V$ $I_C=1.0mA$	80			MHz
Output Capacitance	$C_{ob}$	$V_{CB}=10V$ $I_E=0$ $f=1.0MHz$		2.0	3.5	pF

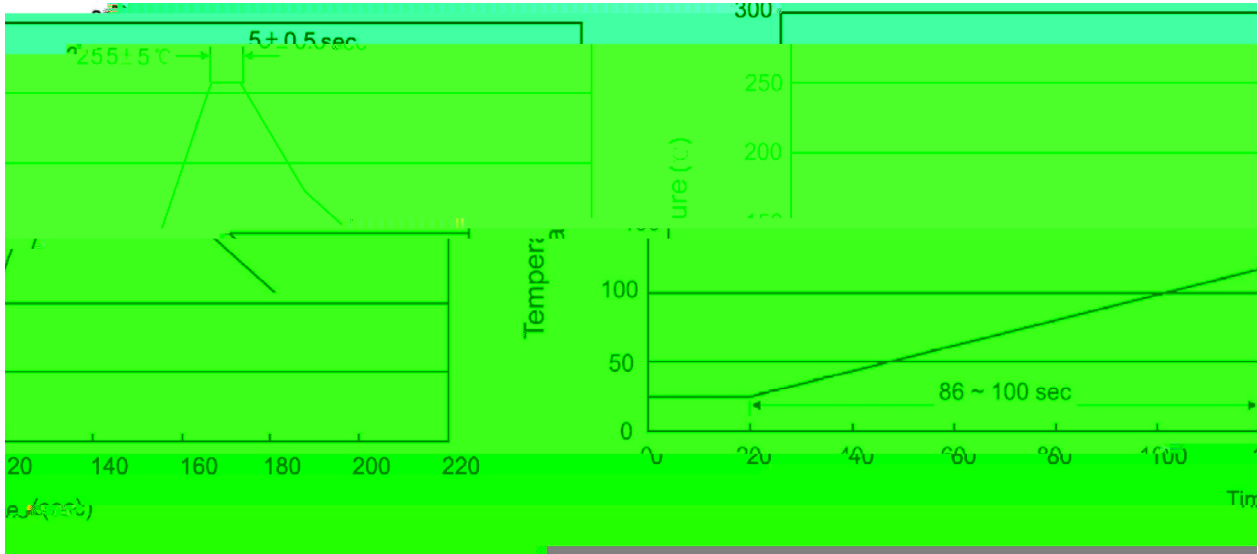
Nois 24.18 re35gure 10(E(NET55.6208001 r0 Tc(V)Tj7)TjET0 7.02 273.84 279.9203 )5.-0.0042 Tc(CE)Tj10.5 0 0

/ **Electrical Characteristic Curve**





( ) / Temperature Profile for Dip Soldering(Pb-Free)



Note:

- |   |       |     |           |          |   |
|---|-------|-----|-----------|----------|---|
| 1 | 25    | 150 | 60        | 90sec;   | 1.Preheating:25~150 , Time:60~90sec.    |
| 2 | 255±5 |     | 5±0.5sec; |          | 2.Peak Temp.:255±5 , Duration:5±0.5sec. |
| 3 |       |     | 2         | 10 /sec. | 3. Cooling Speed: 2~10 /sec.            |

/ Resistance to Soldering Heat Test Conditions

270±5                      10±1 sec.                      Temp:270±5                      Time:10±1 sec

/ Packaging SPEC.

/ BULK

Package Type	Units					Dimension (unit mm3)		
	Units/Bag /	Bags/Inner Box /	Units/Inner Box /	Inner Boxes/Outer Box /	Units/Outer Box /	Bag	Inner Box	Outer Box
TO-92	1,000	10	10,000	5	50,000	135×190	237×172×102	560×245×195
	1,000	10	10,000	10	100,000	135×190	237×172×102	560×245×375

/ AMMO

Package Type	Units					Dimension (unit mm3)	
	Units/tape /	Tape/Inner Box /	Rows/Inner Box /	Inner Boxes/Outer Box /	Units/Outer Box /	Inner Box	Outer Box
TO-92	3,000	1	120	10	30,000	328×230×42	480×346×235 547×407×268

/ Notices