

/ Descriptions

TO-92LM NPN Silicon NPN transistor in a TO-92LM Plastic Package.

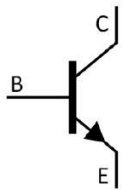
/ Features

High voltage, small collector output capacitance.

/ Applications

High voltage switching and amplifier, color TV horiz driver, chroma output applications..

/ Equivalent Circuit



/ Pinning



PIN1 Base PIN 2 Collector PIN 3 Emitter

/ h_{FE} Classifications & Marking

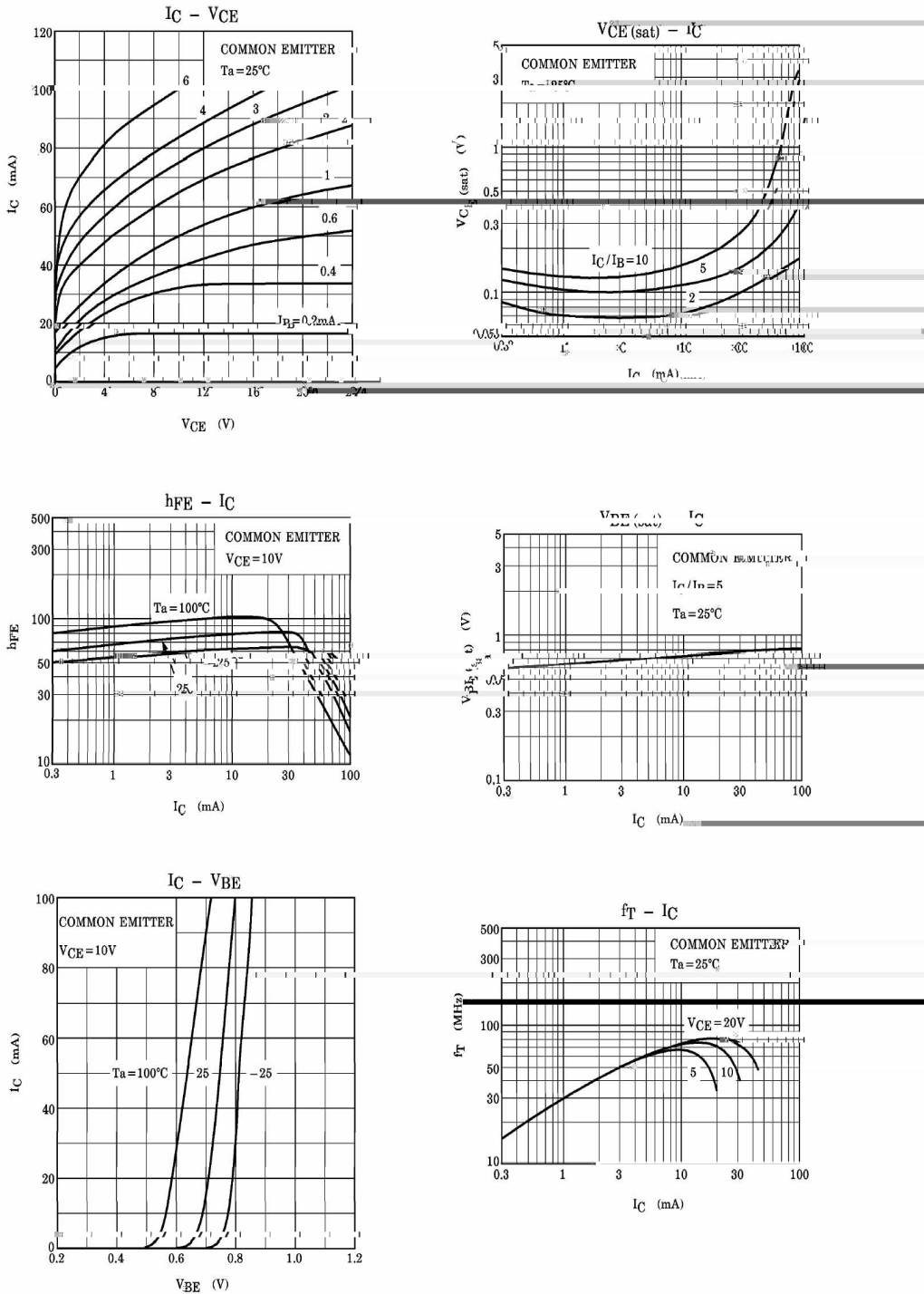
See Marking Instructions.

Parameter	Symbol	Rating	Unit
Collector to Base Voltage	V_{CBO}	300	V
Collector to Emitter Voltage	V_{CEO}	300	V
Emitter to Base Voltage	V_{EBO}	7.0	V
Collector Current (DC)	I_C	100	mA
Base Current	I_B	50	mA
Collector Power Dissipation	P_C	900	mW
Junction Temperature	T_j	150	
Storage Temperature Range	T_{stg}	-55 150	

Parameter	Symbol	Test Conditions	Min	Typ	Max	Unit
Collector Cut-Off Current	I_{CBO}	$V_{CB}=240V$ $I_E=0$			1.0	μA

Emitter

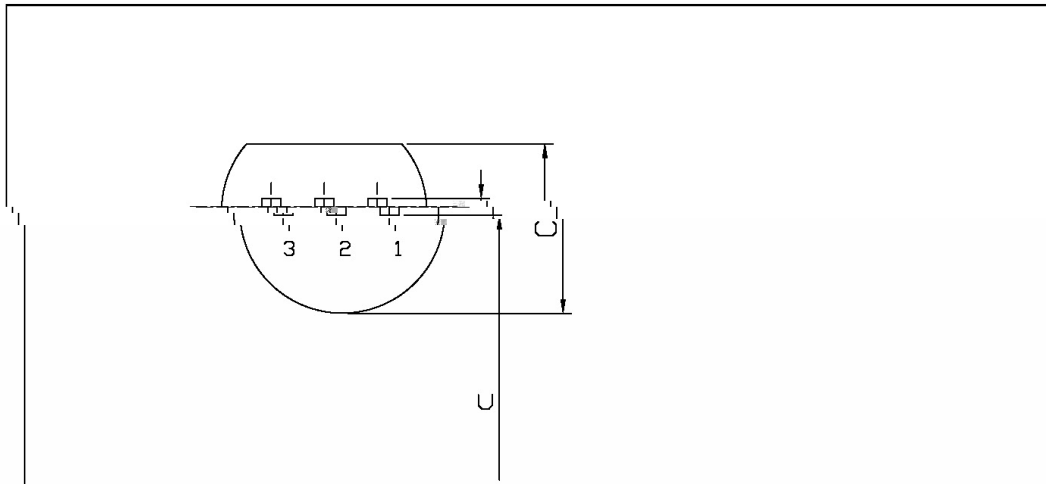
/ Electrical Characteristic Curve



/ Package Dimensions

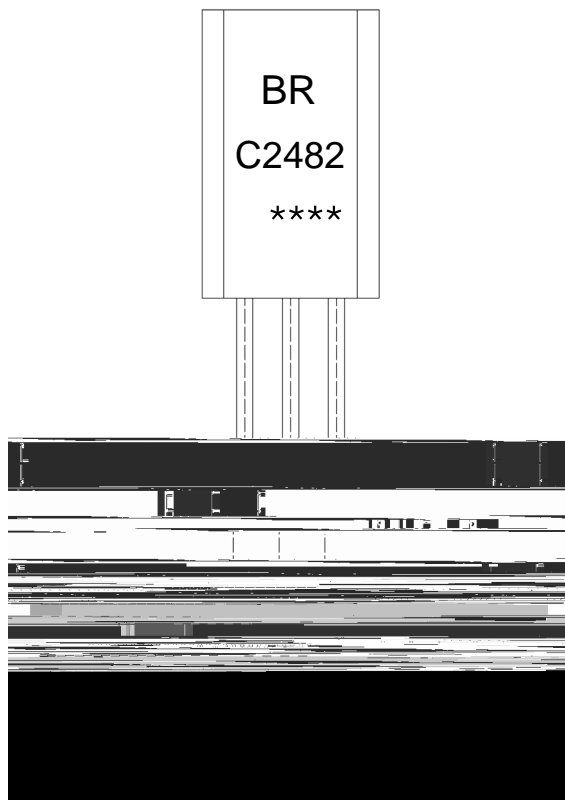
TO-92LM

Unit: mm



Symbol	Dimensions In Millimeters	
	Min	Max
A	1.47	2.0
B	0.5	0.6
C	0.8	1.0
D	0.1	0.2
E	0.1	0.2
F	0.1	0.2
G	0.1	0.2
H	0.1	0.2
I	0.1	0.2
J	0.1	0.2
K	0.1	0.2
L	0.1	0.2
M	0.1	0.2
N	0.1	0.2
O	0.1	0.2
P	0.1	0.2
Q	0.1	0.2
R	0.1	0.2
S	0.1	0.2
T	0.1	0.2
U	0.1	0.2
V	0.1	0.2
W	0.1	0.2
X	0.1	0.2
Y	0.1	0.2
Z	0.1	0.2

/ Marking Instructions



BR:

C2482

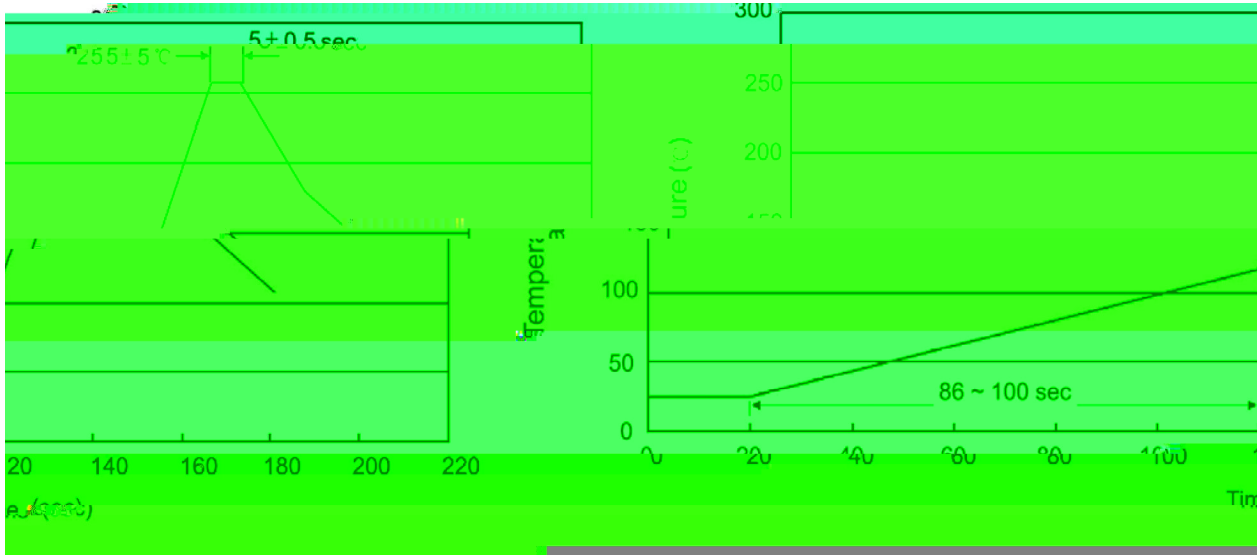
Note:

BR: Company Code.

C2482: Product Type.

****: Lot No. Code,code change with Lot No.

() / Temperature Profile for Dip Soldering(Pb-Free)



- 1 25 150 60 90sec;
- 2 255±5 5±0.5sec;
- 3 2 10 /sec.

Note:

- 1.Preheating:25~150 , Time:60~90sec.
- 2.Peak Temp.:255±5 , Duration:5±0.5sec.
- 3. Cooling Speed: 2~10 /sec.

/ Resistance to Soldering Heat Test Conditions

270±5 10±1 sec. Temp.:270±5 Time:10±1 sec

/ Packaging SPEC.

/ BULK

/sec.