

2SC1573(A)

Rev.E Mar.-2016

/ Descriptions

TO-92LM NPN Silicon NPN transistor in a TO-92LM Plastic Package.

/ Features

f_T , 2SA879(A)
High V_{CE0} , high f_T ; Complementary pair with 2SA879(A).

/ Applications

General amplifier and video frequency output in small screen TV.

/ Equivalent Circuit



/ Pinning



PIN1 Base PIN 2 Collector PIN 3 Emitter

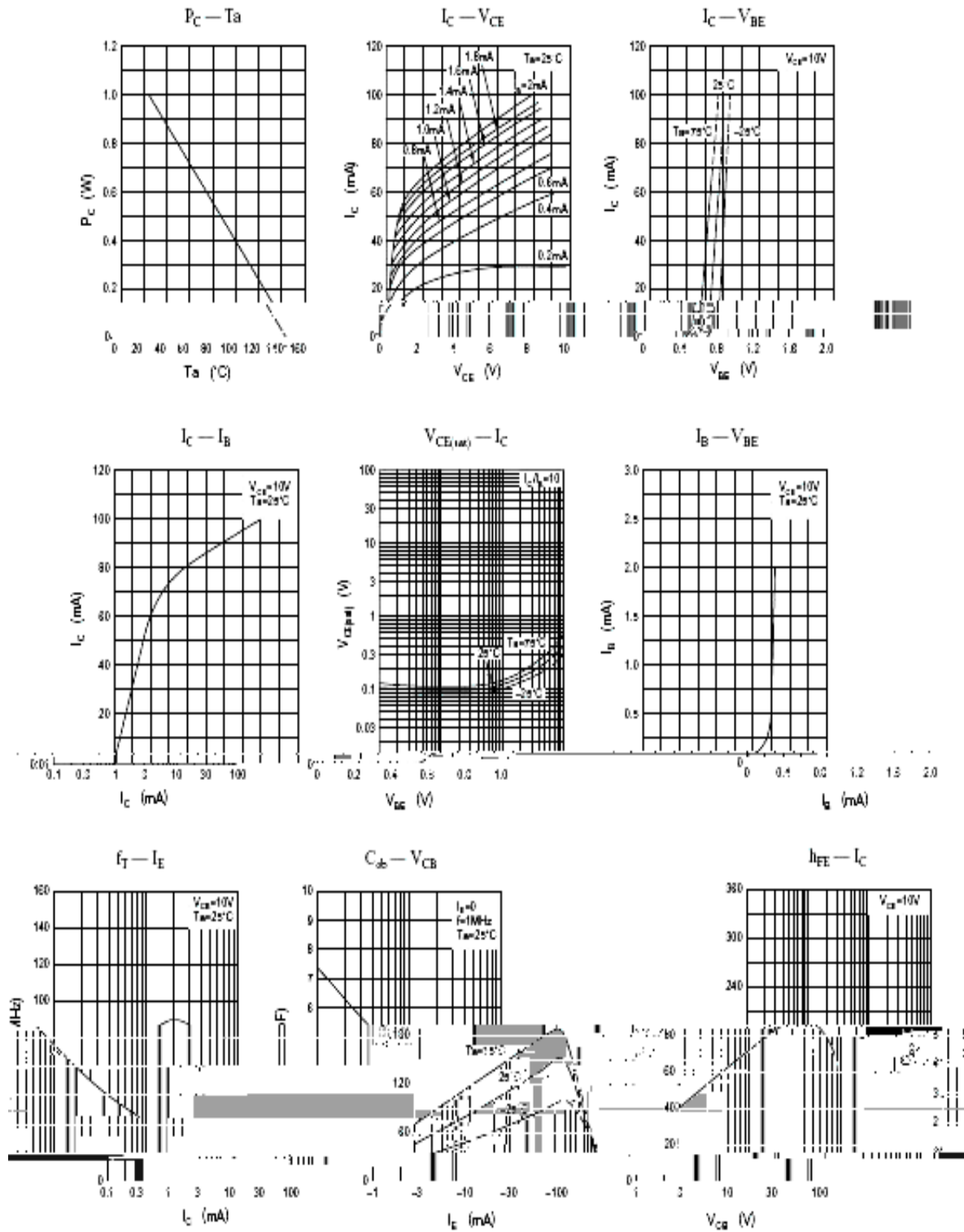
/ h_{FE} Classifications & Marking

h_{FE} Classifications Symbol	P	Q	R
h_{FE} Range	30~100	60~150	100~220

Parameter	Symbol	Rating	Unit	
Collector to Base Voltage	V_{CBO}	2SC1573	250	V
		2SC1573A	300	
Collector to Emitter Voltage	V_{CEO}	2SC1573	250	V
		2SC1573A	300	
Emitter to Base Voltage	V_{EBO}	7.0	V	
Collector Current - Continuous	I_C	70	mA	
Collector Current – Continuous(Pulse)	I_{CP}	100	mA	
Collector Power Dissipation	P_C	1.0	W	
Junction Temperature	T_j	150		
Storage Temperature Range	T_{stg}	-55 150		

Parameter	Symbol	Test Conditions	Min	Typ	Max	Unit
Collector to Emitter Breakdown Voltage	V_{CEO}	$I_C=100\mu A$ $I_B=0$	250			V
			300			
Emitter to Base Breakdown Voltage	V_{EBO}	$I_E=1.0\mu A$ $I_C=0$	7.0			V
Collector Cut-Off Current	I_{CBO}	$V_{CB}=120V$ $I_E=0$			2.0	μA
DC Current Gain	h_{FE}	$V_{CE}=10V$ I_C				

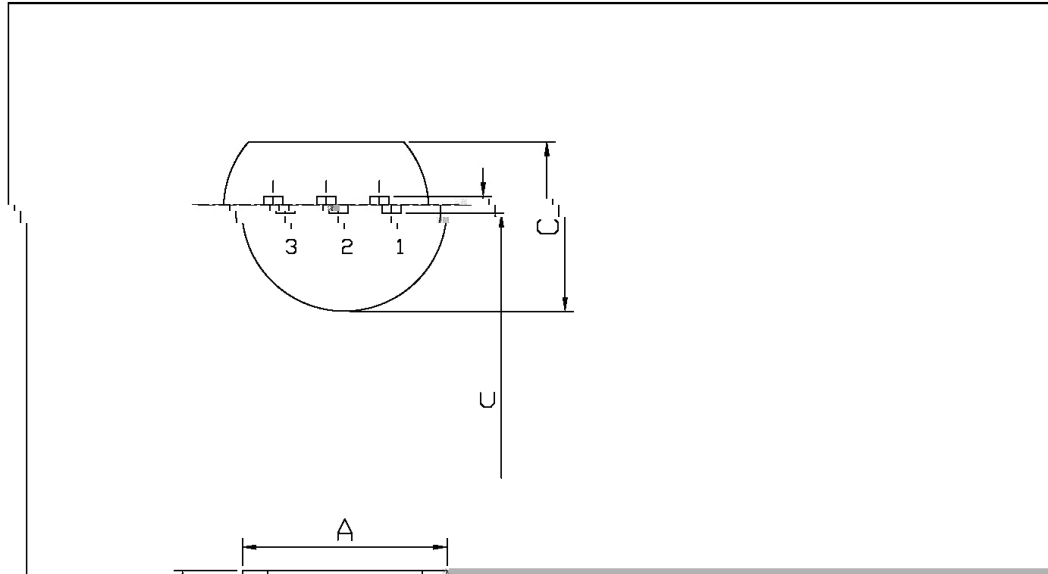
/ Electrical Characteristic Curve



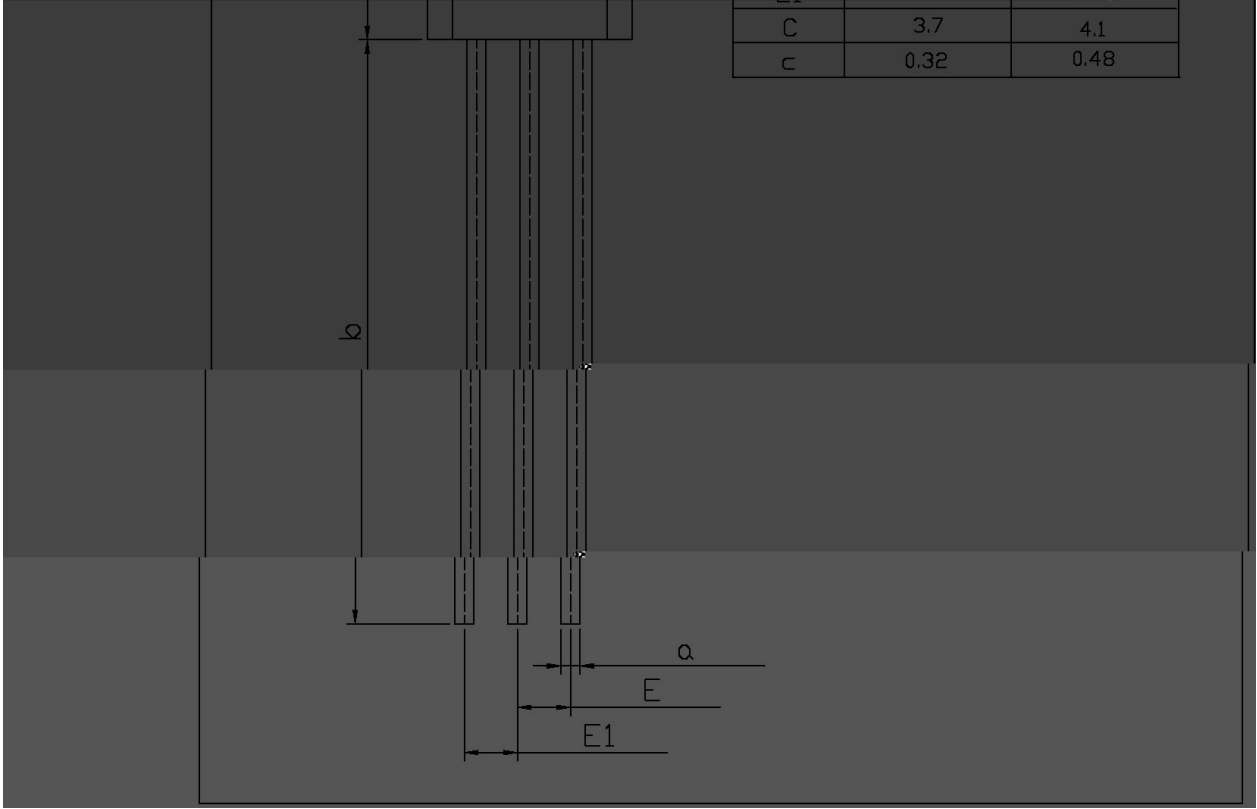
/ Package Dimensions

TO-92LM

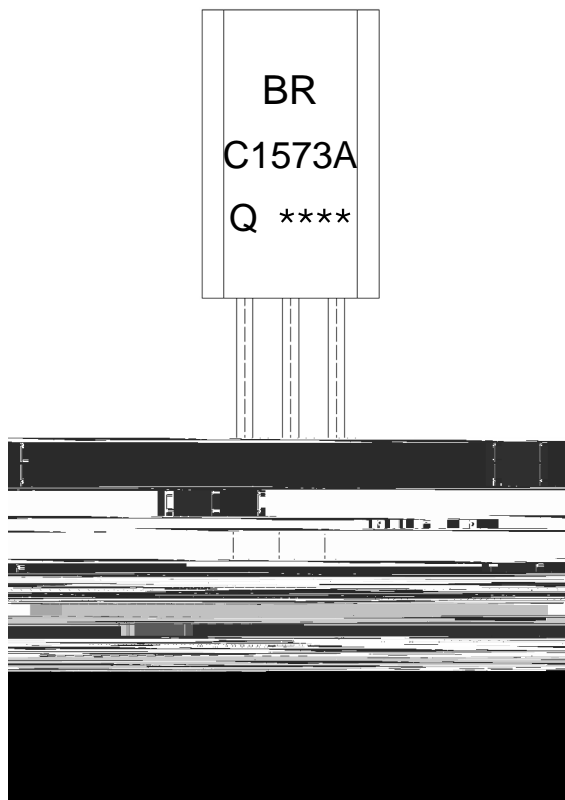
Unit: mm



Symbol	Dimensions In Millimeters	
	Min	Max
A	4.7	5.1
B	7.6	8.0



/ Marking Instructions



BR:

C1573A

Q: h_{FE}

Note:

BR: Company Code.

C1573A: Product Type.

Q: h_{FE} Classifications Symbol

****: Lot No. Code,code change with Lot No.

() / Temperature Profile for Dip Soldering(Pb-Free)



- | | | | | | |
|---|-------|-----|-----------|--------|---|
| 1 | 25 | 150 | 60 | 90sec; | Note: |
| 2 | 255±5 | | 5±0.5sec; | | 1.Preheating:25~150 , Time:60~90sec. |
| 3 | | 2 | 10 /sec. | | 2.Peak Temp.:255±5 , Duration:5±0.5sec. |
| | | | | | 3. Cooling Speed: 2~10 /sec. |

/ Resistance to Soldering Heat Test Conditions

270±5 10±1 sec. Temp.:270±5 Time:10±1 sec

/ Packaging SPEC.

/ BULK

Package Type	Units				Dimension	(unit mm3)
re12412u)2489932	Units/Bag	Bags/Inner Box	Units/Inner Box	Inner Boxes/Outer Box	Units/Outer Box	re500412u)249932
126	800026	590	64797854 ± 048001	126	re500412u)249932	Inner Box 800026 Outer 28 / 3160797854