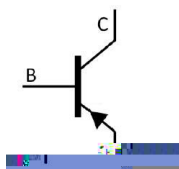


**2SB716**  
Rev.E Mar.-2016

TO-92LM          PNP          Silicon PNP transistor in a TO-92LM Plastic Package.

2SD756  
Complementary pair with 2SD756.

Low frequency high voltage amplifier.



PIN1 Base          PIN 2 Collector          PIN 3 Emitter

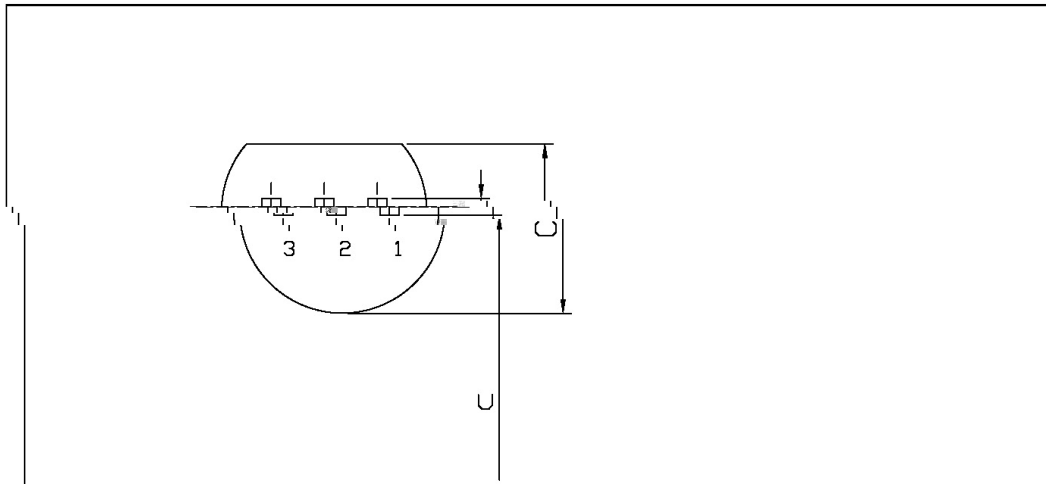
Parameter	Symbol	Rating	Unit
Collector to Base Voltage	$V_{CBO}$	-120	V

**2SB716**  
Rev.E Mar.-2016

/ Package Dimensions

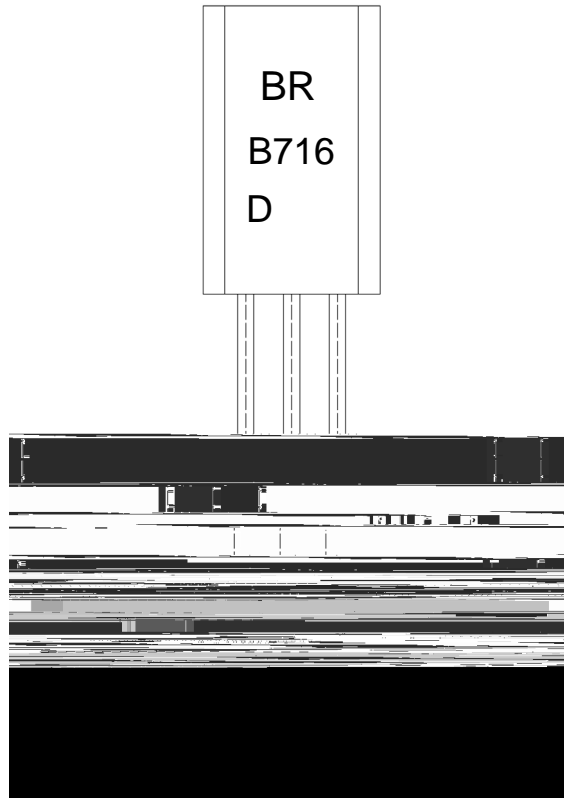
TO-92LM

Unit: mm



Symbol	Dimensions In Millimeters	
	Min	Max
A	1.47	2.5
C	0.8	1.0
U	0.5	0.7

/ Marking Instructions



BR:

B716

D:  $h_{FE}$

\*\*\*\*

Note:

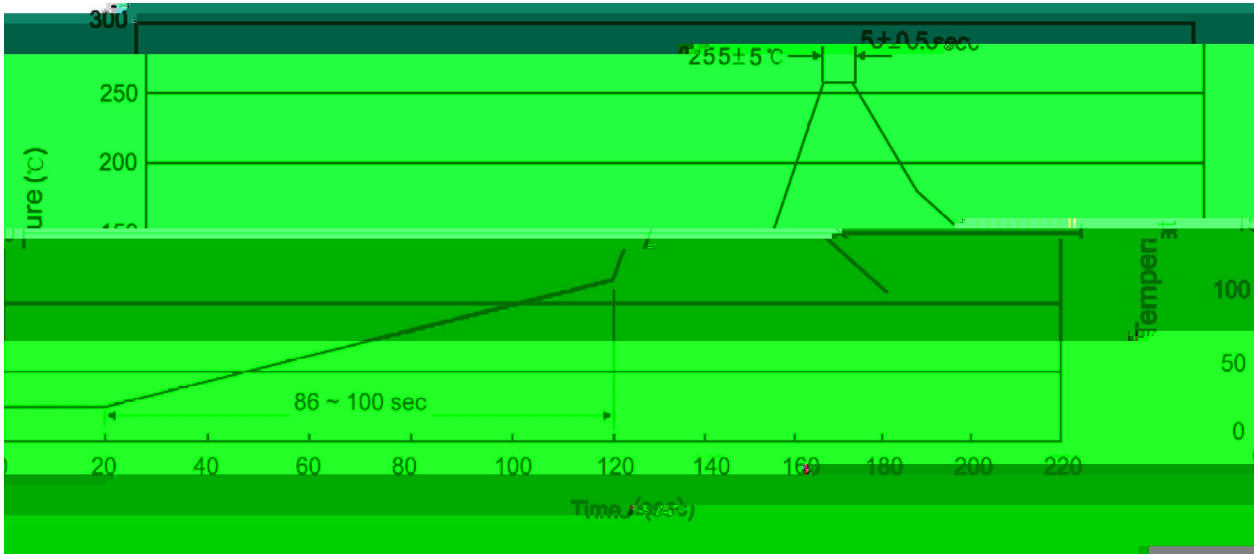
BR: Company Code.

B716: Product Type.

D:  $h_{FE}$  Classifications Symbol

\*\*\*\*: Lot No. Code,code change with Lot No.

( ) / Temperature Profile for Dip Soldering(Pb-Free)



Note:

- |   |       |     |           |        |   |
|---|-------|-----|-----------|--------|---|
| 1 | 25    | 150 | 60        | 90sec; | 1.Preheating:25~150 , Time:60~90sec.    |
| 2 | 255±5 |     | 5±0.5sec; |        | 2.Peak Temp.:255±5 , Duration:5±0.5sec. |
| 3 |       | 2   | 10        | /sec.  | 3. Cooling Speed: 2~10 /sec.            |

/ Resistance to Soldering Heat Test Conditions

270±5                      10±1 sec.                      Temp.:270±5                      Time:10±1 sec

/ Packaging SPEC.

/ BULK

Package Type 封装形式	Units 包装数量					Dimension 包装尺寸 (unit: mm3)		
	只袋	袋盒	只盒	盒箱	只箱	袋	盒	箱

/ AMMO

Package Type 封装形式	Units 包装数量					Dimension 包装尺寸 (unit: mm3)		
	只纸带	纸带盒	纸带层盒	盒箱	只箱	盒	小箱	箱