

/ Descriptions

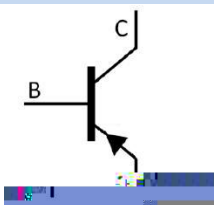
TO-92 PNP

/ Features

2SD467

/ Applications

/ Equivalent Circuit

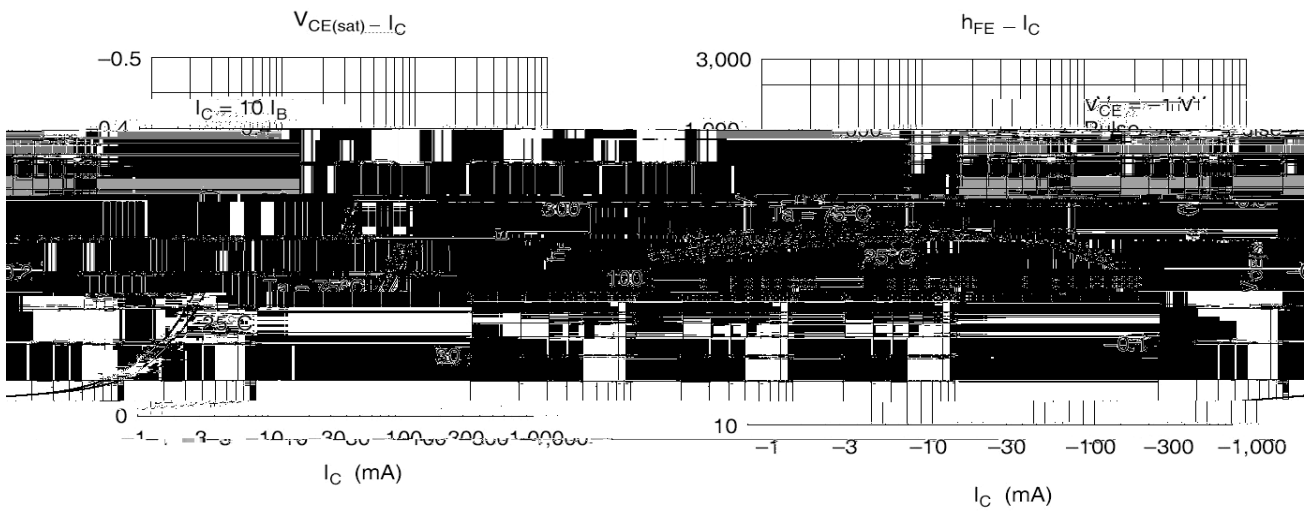
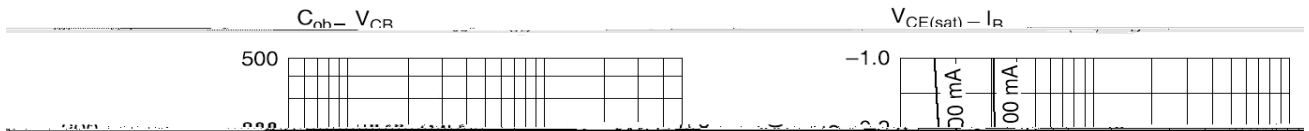
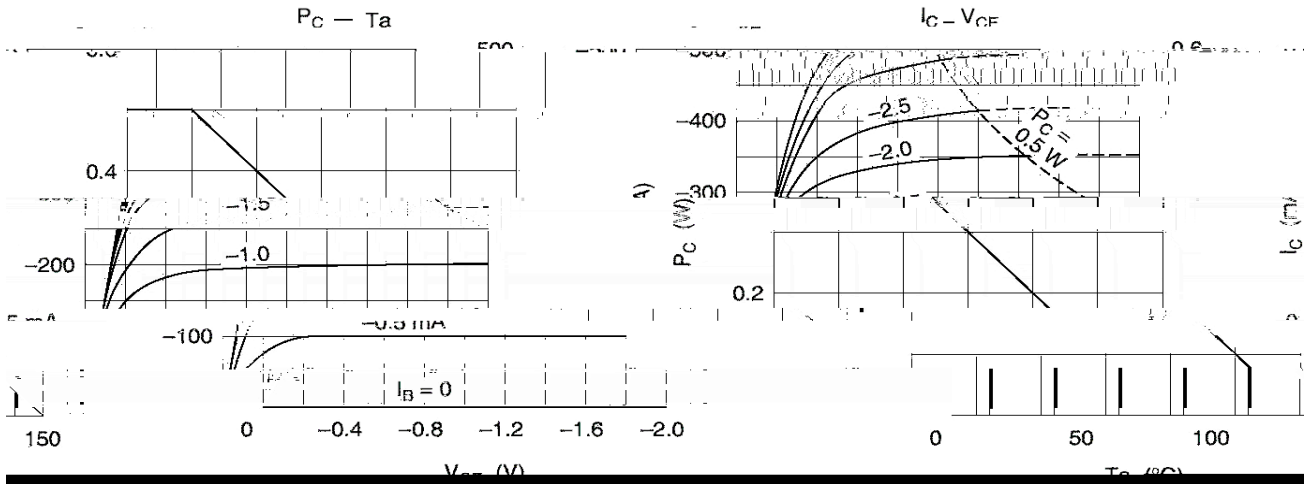


/ Pinning



/ hFE Classifications & Marking

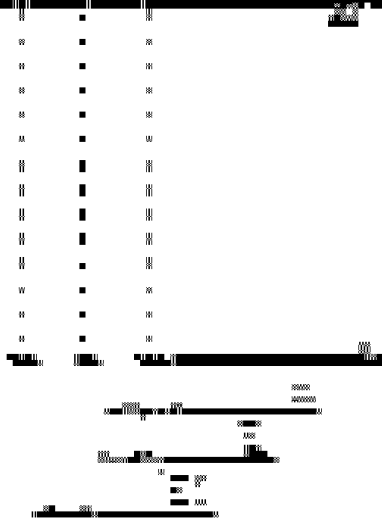
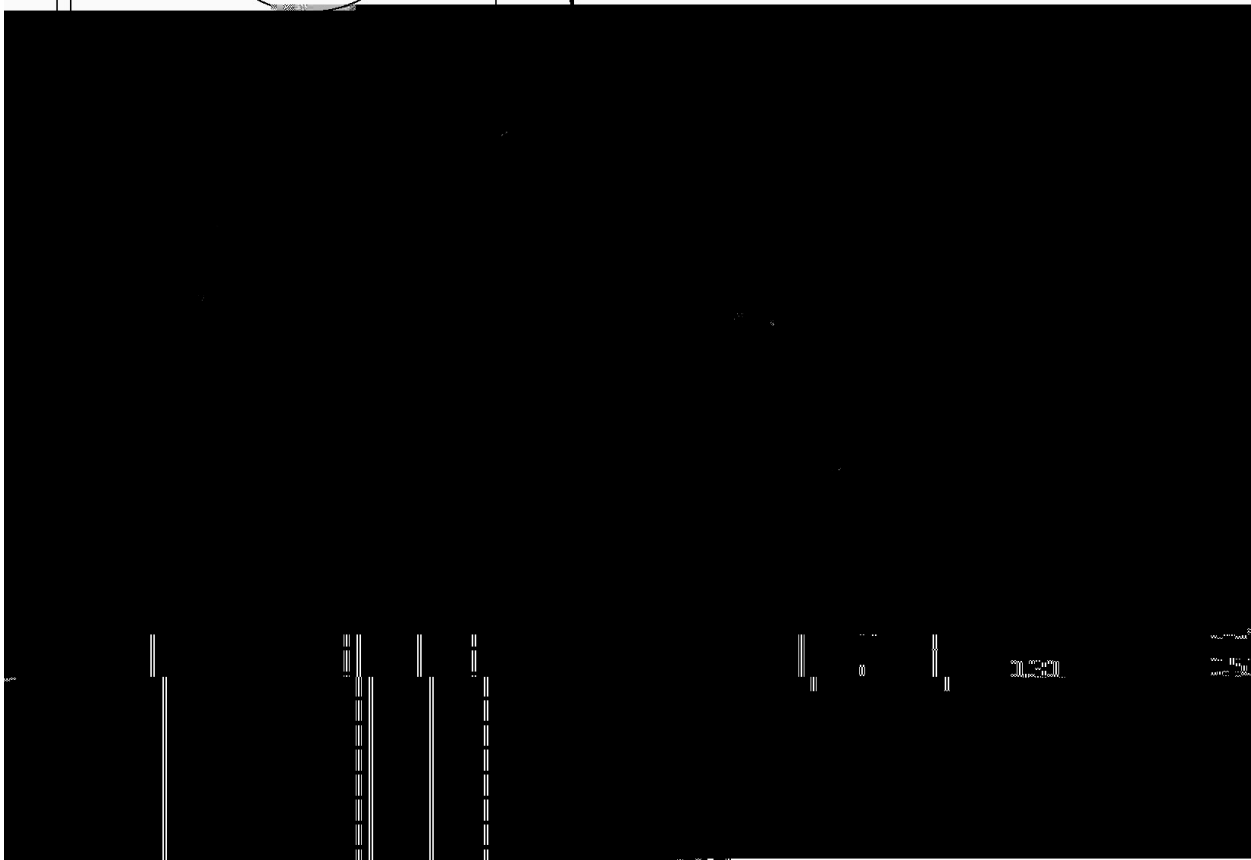
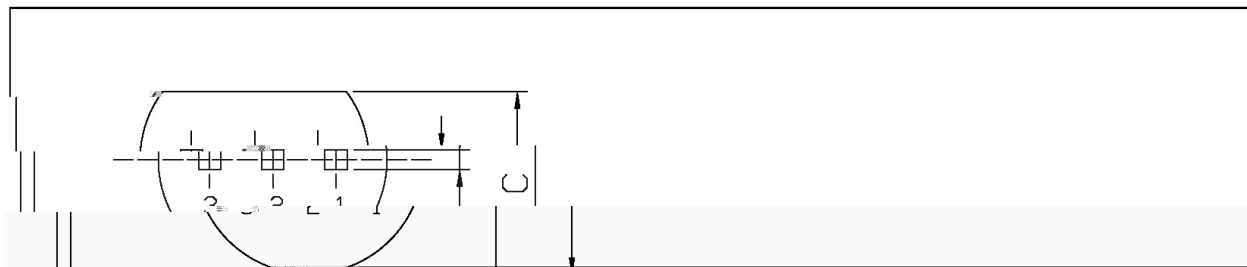
/ Electrical Characteristic Curve



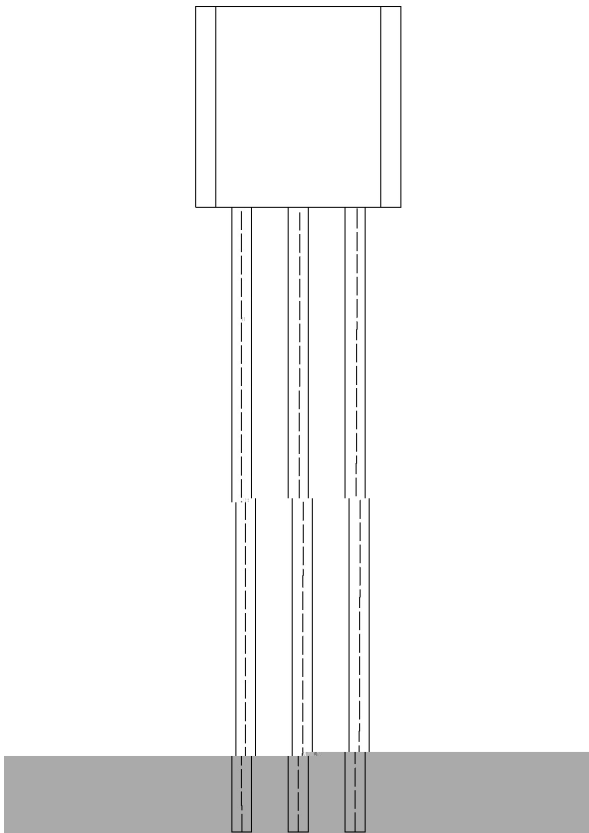
/ Package Dimensions

TO-92

Unit: mm

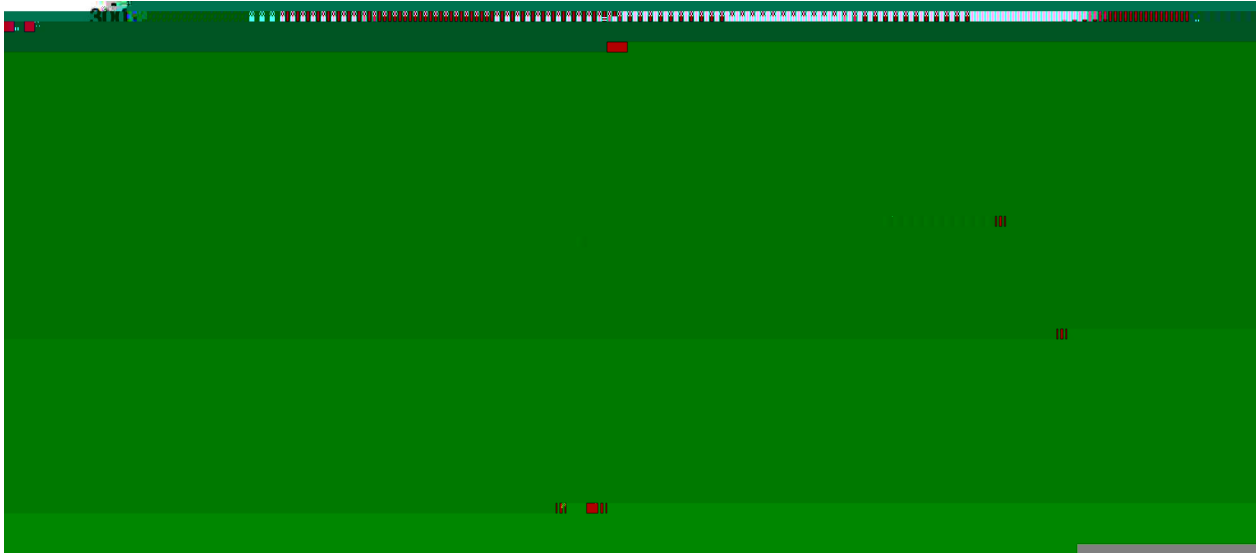


/ Marking Instructions



BR:
B561
B:

() / Temperature Profile for Dip Soldering(Pb-Free)



±

±

±

±

/ Resistance to Soldering Heat Test Conditions

±

±

/ Packaging SPEC.

--	--	--	--	--	--	--	--	--	--