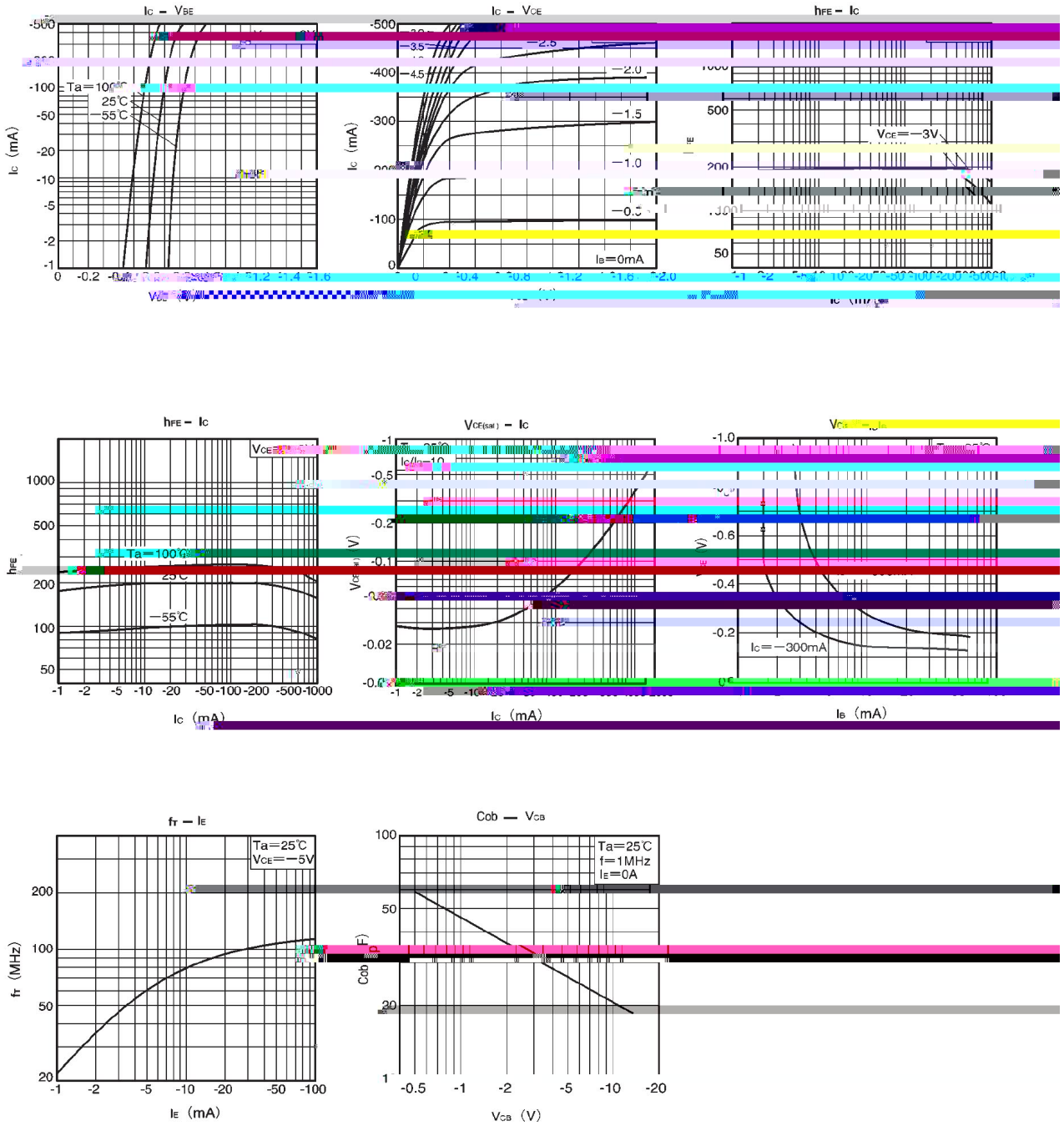


KF \$0) CD GE G` Silicon PNP transistor in a TO-92LM Plastic Package.

)J; (/ , /
Low saturation voltage, complements the 2SD1858.

tTT2 -7 4D0-7 17(.00018 Tc.224 (Silicoymbol(w)9ans/TT2 45 71TD-.574(kD001 Tc4.002)9a254(k)TjP Q Ma8)-6Rs

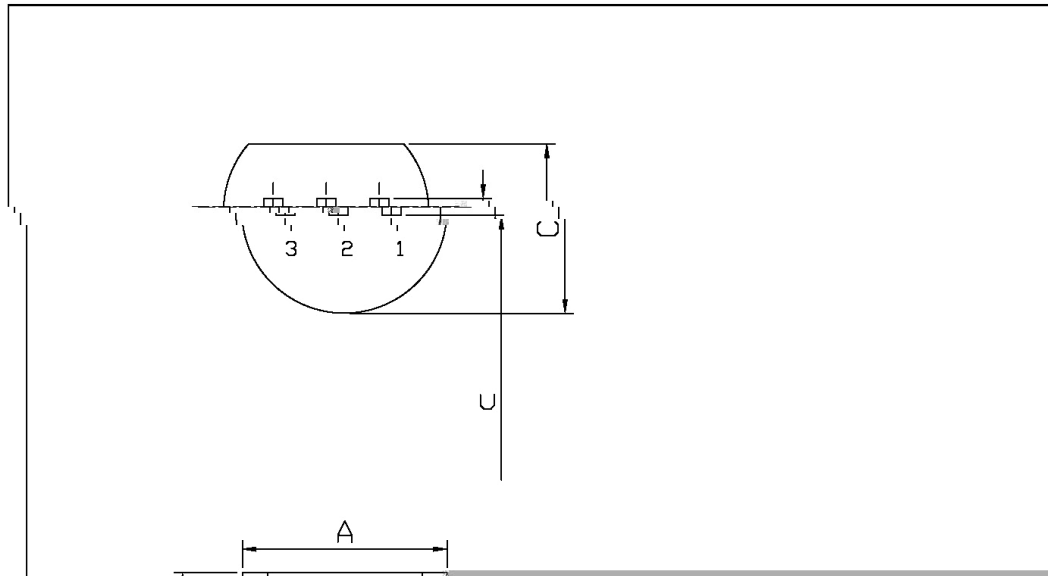
/ Electrical Characteristic Curve



/ Package Dimensions

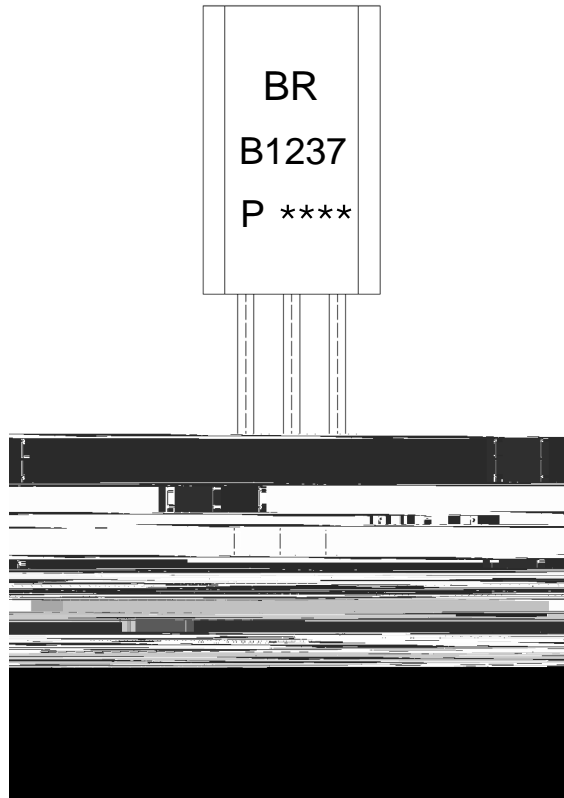
TO-92LM

Unit: mm



Symbol	Dimensions In Millimeters	
	Min	Max
A	4.47	5.1
B	4.2	4.8
C	1.2	1.5
U	0.5	0.8

/ Marking Instructions



9| 1
9() *
G1
!!!!

Note:

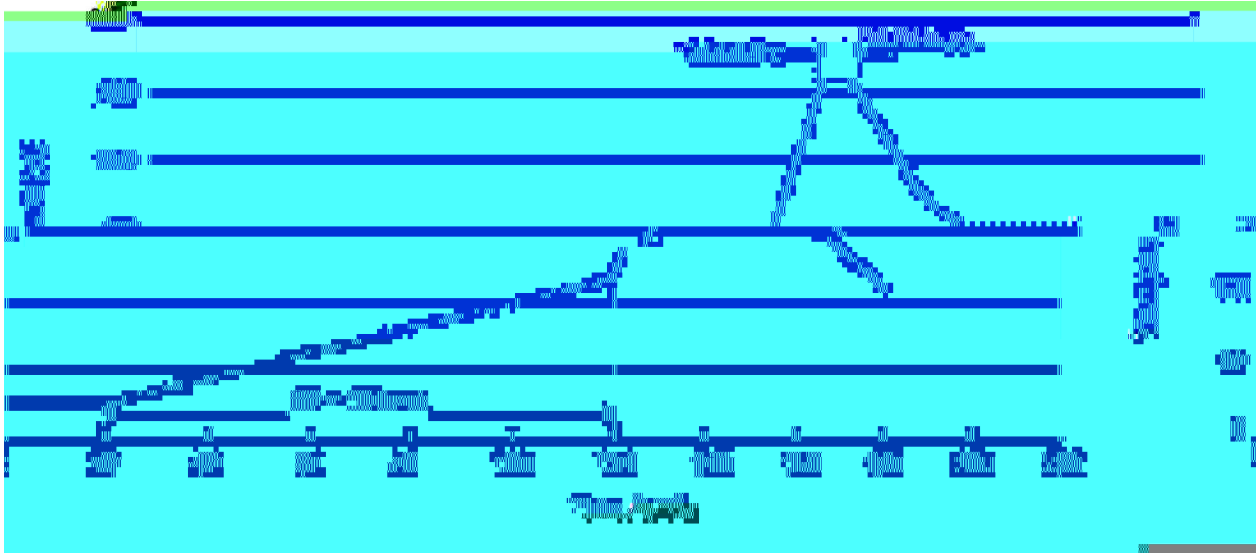
BR: Company Code.

B1237: Product Type.

P: h_{FE} Classifications Symbol

****: Lot No. Code,code change with Lot No.

() / Temperature Profile for Dip Soldering(Pb-Free)



Note:

- | | | | |
|---|--------|------------|---|
| 1 | 25 150 | 60 90sec; | 1.Preheating:25~150 , Time:60~90sec. |
| 2 | 255..5 | 5..0.5sec; | 2.Peak Temp.:255..5 , Duration:5..0.5sec. |
| 3 | 2 10 | /sec. | 3. Cooling Speed: 2~10 /sec. |

/ Resistance to Soldering Heat Test Conditions

270..5 10...1 sec. Temp.:270±5 Time:10±1 sec

/ Packaging SPEC.

/ BULK

Package Type	Units					Dimension (unit mm3)		
	Units/Bag /	Bags/Inner Box /	Units/Inner Box /	Inner Boxes/Outer Box /	Units/Outer Box /	Bag	Inner Box	Outer Box
TO-92LM	1,000	8	8,000	5	40,000	135×190	237×172×102	560×245×195

/ AMMO

Package Type	Units					Dimension (unit mm3)	
	Units/tape /	Tape/Inner Box /	Rows/Inner Box /	Inner Boxes/Outer Box /	Units/Outer Box /	Inner Box	Outer Box
TO-92LM	2,500	1	100	10	25,000	328×230×42	480×346×235 547×407×268

/ Notices