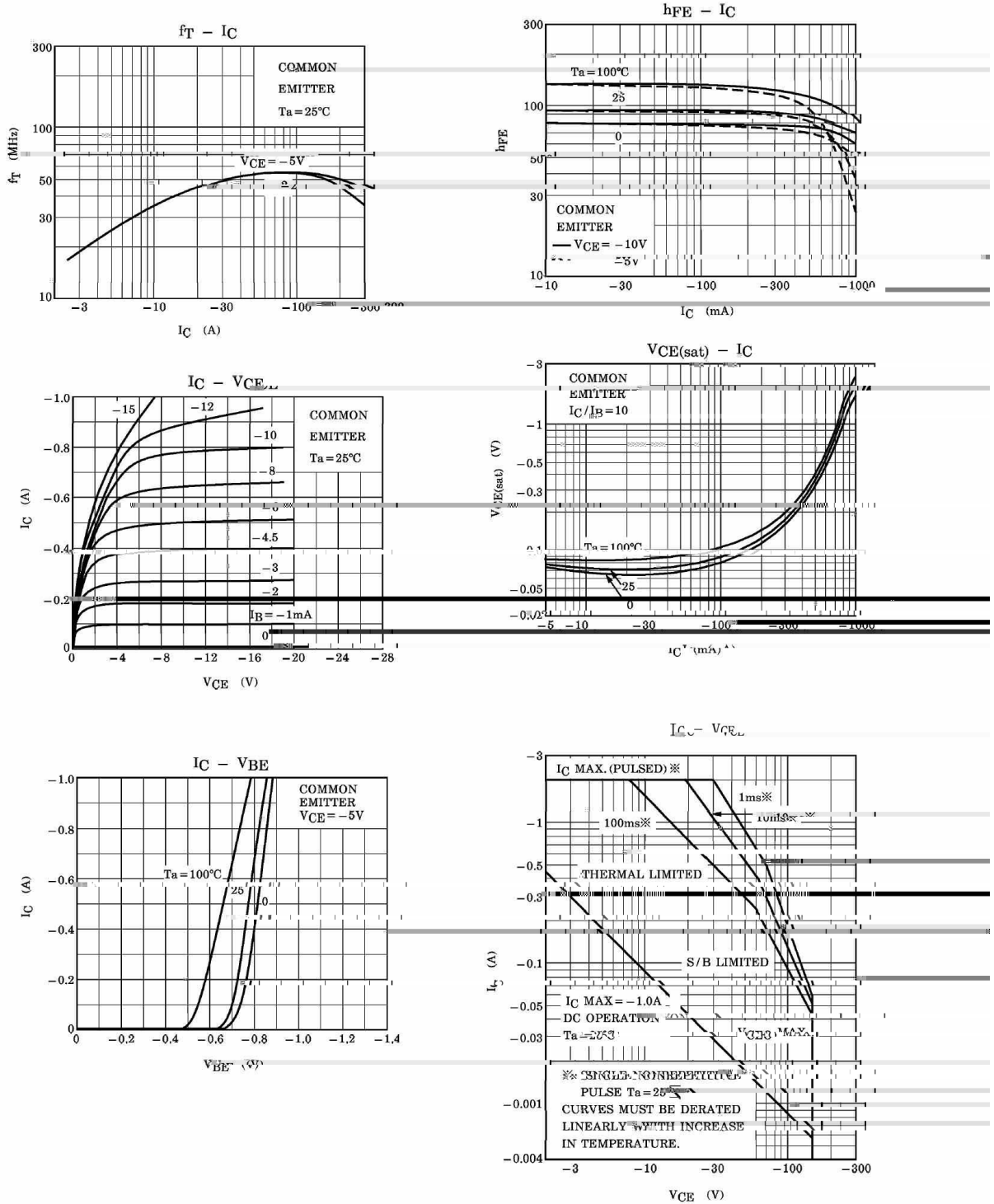


	Parameter	Symbol	Rating	Unit
	Collector to Base Voltage	V_{CBO}	VatingUnit	

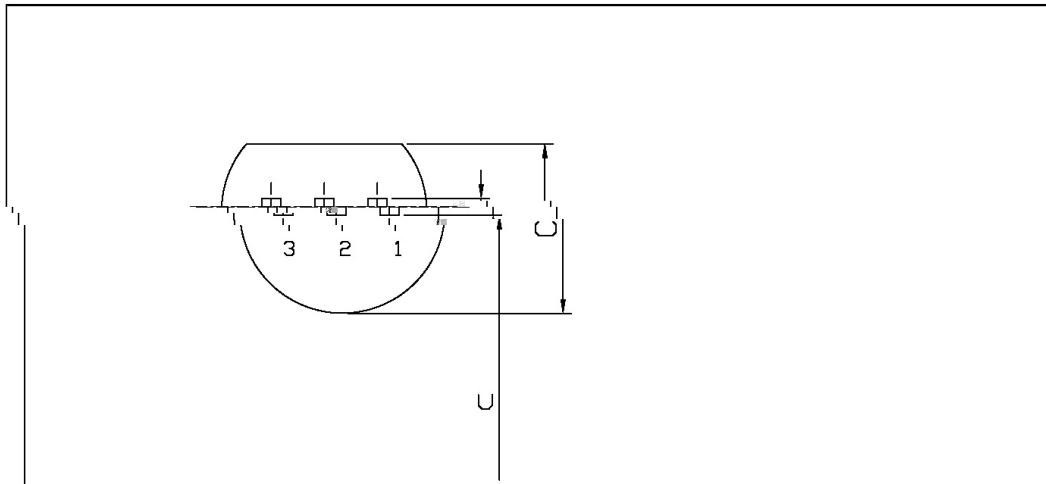
/ Electrical Characteristic Curve



/ Package Dimensions

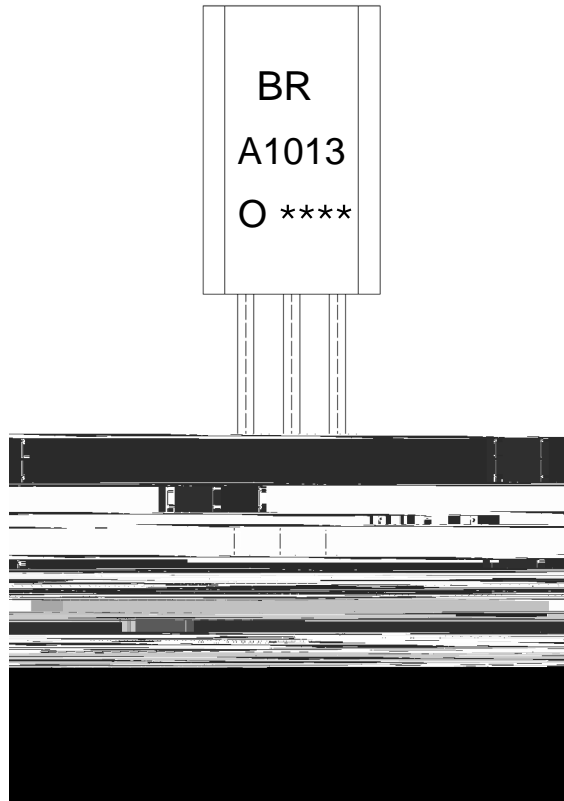
TO-92LM

Unit: mm



Symbol	Dimensions In Millimeters	
	Min	Max
A	4.47	5.1
B	1.27	1.27
C	0.5	0.5
D	0.5	0.5
E	0.5	0.5
F	0.5	0.5
G	0.5	0.5
H	0.5	0.5
I	0.5	0.5
J	0.5	0.5
K	0.5	0.5
L	0.5	0.5
M	0.5	0.5
N	0.5	0.5
O	0.5	0.5
P	0.5	0.5
Q	0.5	0.5
R	0.5	0.5
S	0.5	0.5
T	0.5	0.5
U	0.5	0.5
V	0.5	0.5
W	0.5	0.5
X	0.5	0.5
Y	0.5	0.5
Z	0.5	0.5

/ Marking Instructions



BR:

A1013

O: h_{FE}

Note:

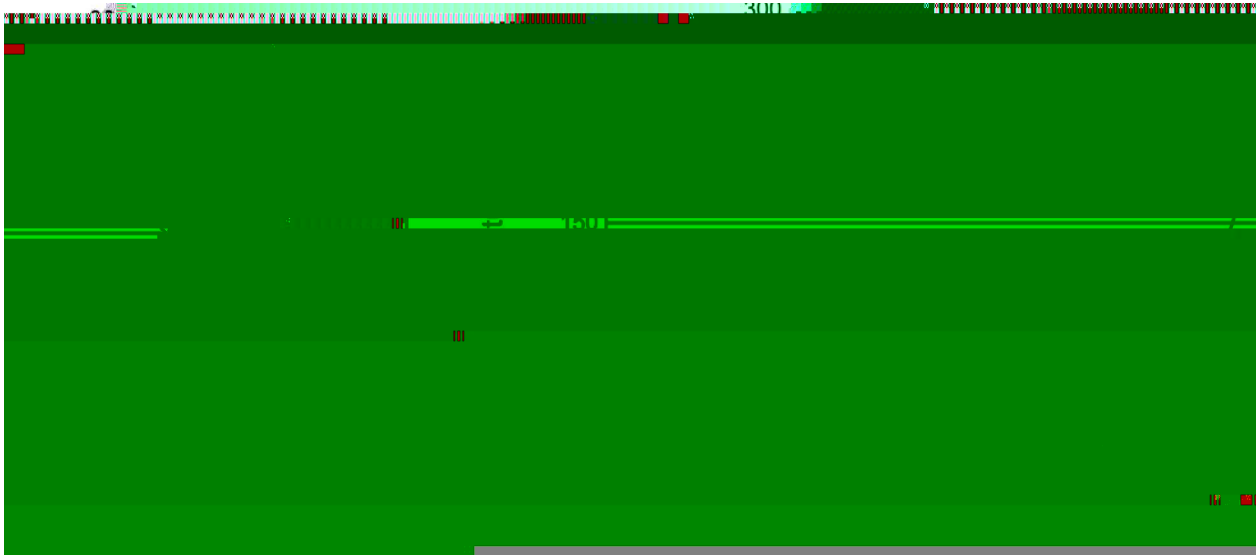
BR: Company Code.

A1013: Product Type.

O: h_{FE} Classifications Symbol

****: Lot No. Code,code change with Lot No.

() / Temperature Profile for Dip Soldering(Pb-Free)



- | | | | | | | |
|---|----|-------|----|-----------|-------|---|
| 1 | 25 | 150 | 60 | 90sec; | Note: | 1.Preheating:25~150 , Time:60~90sec. |
| 2 | | 255±5 | | 5±0.5sec; | | 2.Peak Temp.:255±5 , Duration:5±0.5sec. |
| 3 | | | 2 | 10 /sec. | | 3. Cooling Speed: 2~10 /sec. |

/ Resistance to Soldering Heat Test Conditions

270±5 10±1 sec. Temp.:270±5 Time:10±1 sec

/ Packaging SPEC.

/ BULK

Package Type	Units	Dimension	(unit dimension)
--------------	-------	-----------	------------------